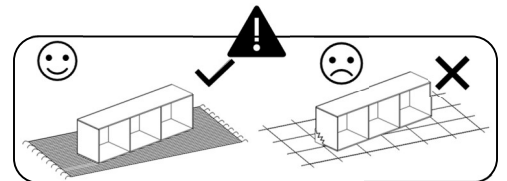
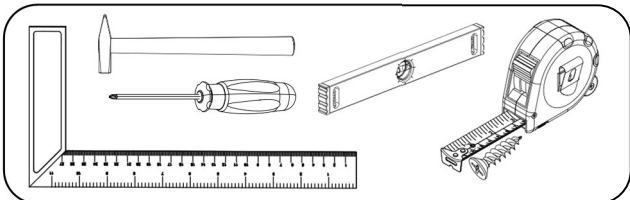
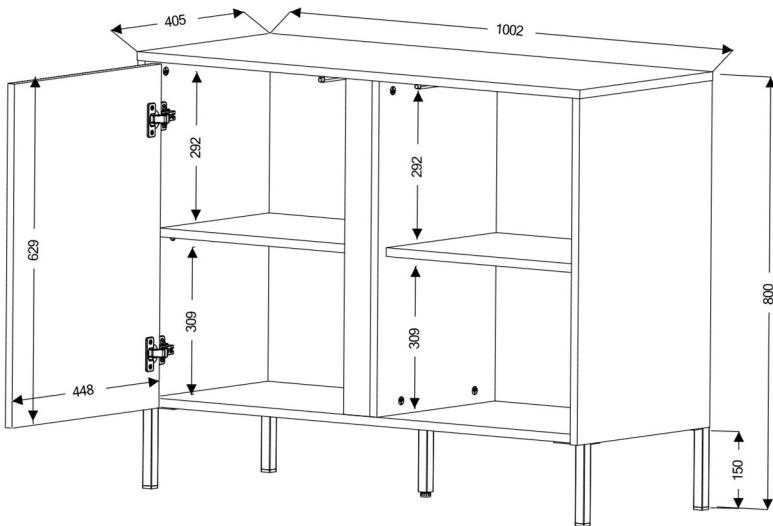
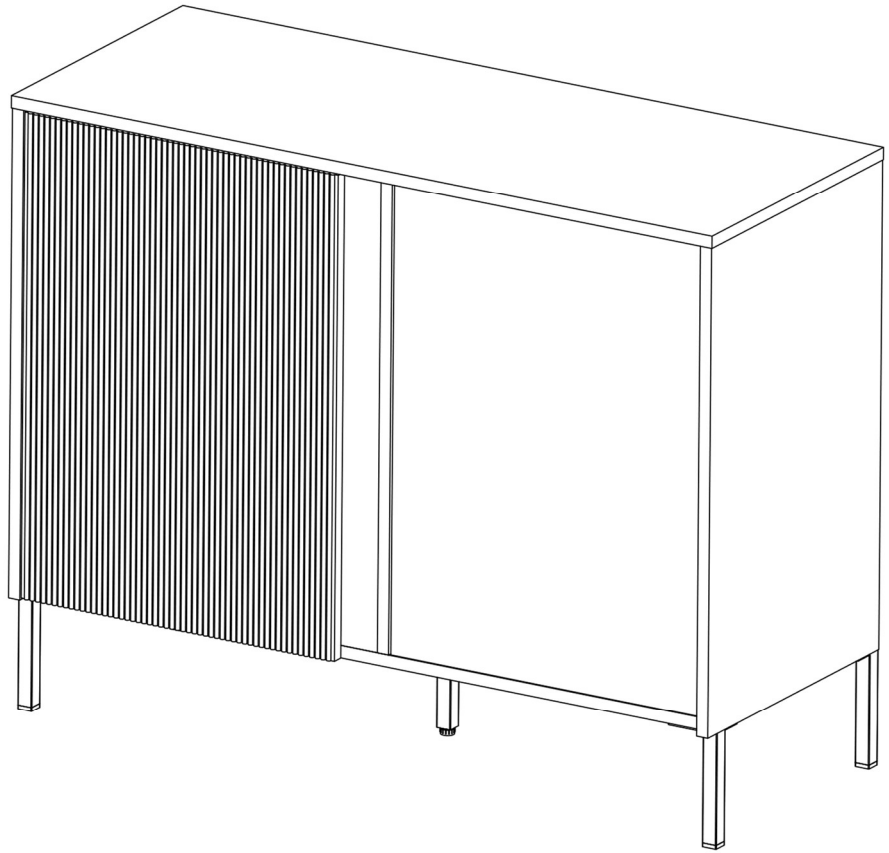
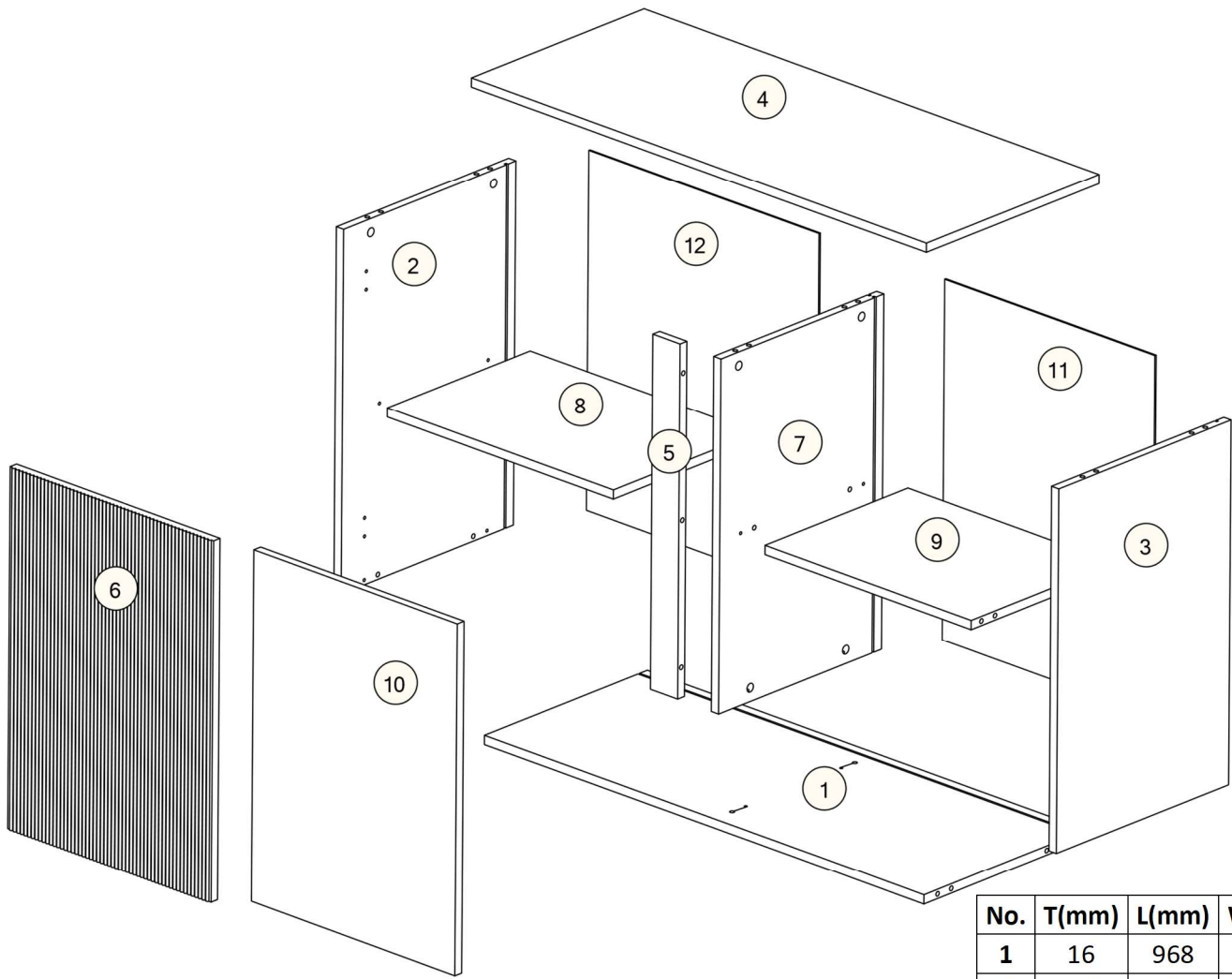
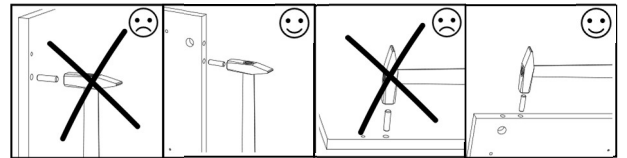
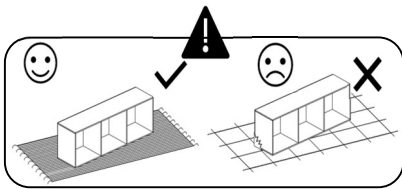


Mia 4



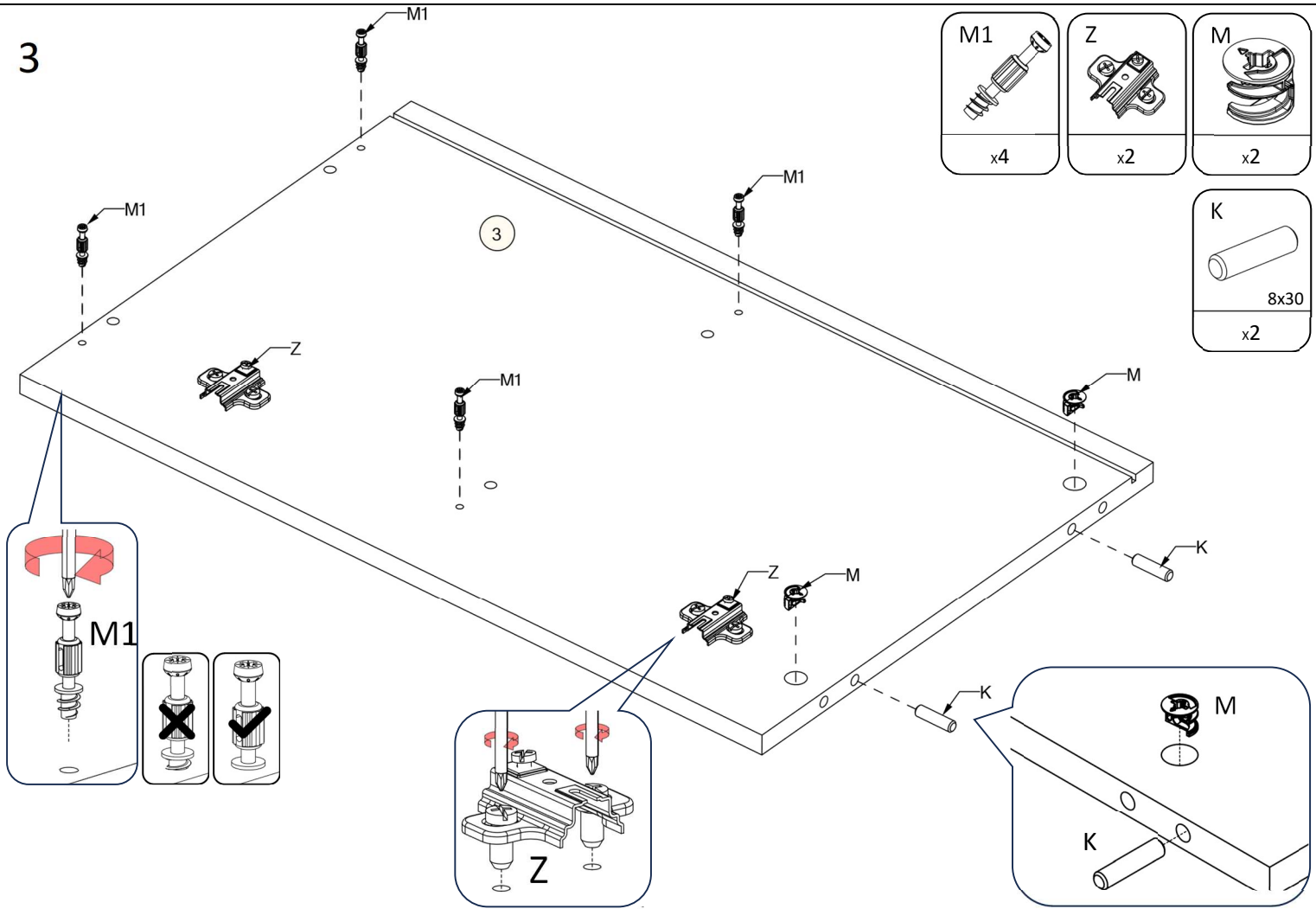


No.	T(mm)	L(mm)	W(mm)	Stc.
1	16	968	382	1
2	16	634	404	1
3	16	634	404	1
4	16	1002	405	1
5	16	618	60	1
6	18	629	448	1
7	16	618	382	1
8	16	498	335	1
9	16	454	335	1
10	16	612	448	1
11	3	627	463	1
12	3	627	507	1

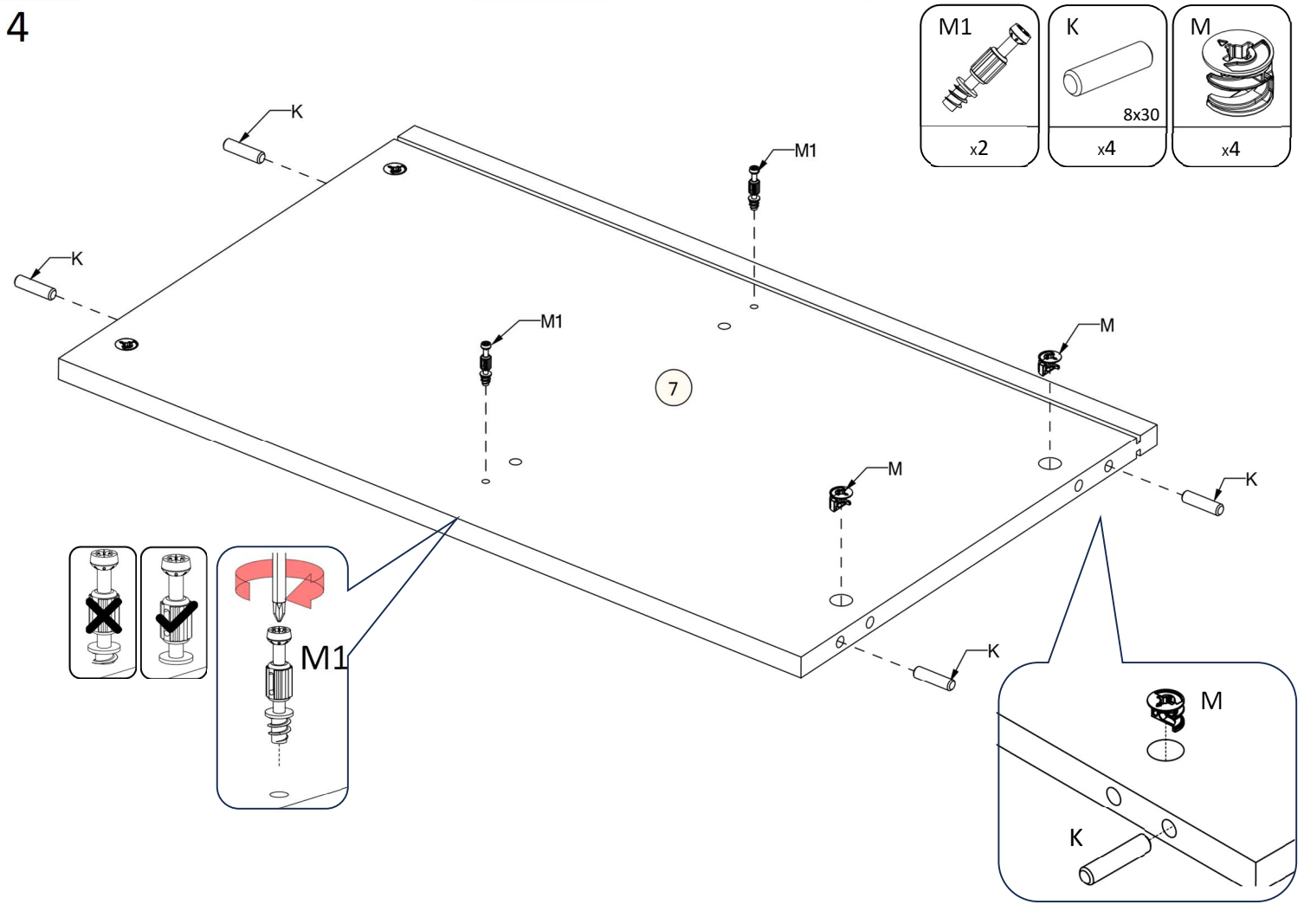


<p>K</p> <p>8x30</p> <p>x19</p>	<p>M1</p> <p>x16</p>	<p>M</p> <p>x16</p>	<p>Z</p> <p>x4</p>	<p>D4</p> <p>4x16</p> <p>x28</p>	<p>Z1</p> <p>x4</p>	<p>GL</p> <p>GLUE</p> <p>x1</p>	<p>ZM</p> <p>x16</p>	<p>S</p> <p>x12</p>	<p>T</p> <p>x2</p>
<p>P</p> <p>x4</p>	<p>Y</p> <p>x1</p>	<p>N</p> <p>x2</p>	<p>N1</p> <p>x1</p>	<p>N2</p> <p>x2</p>					

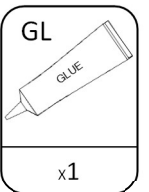
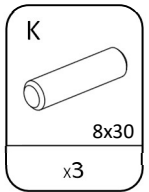
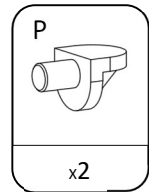
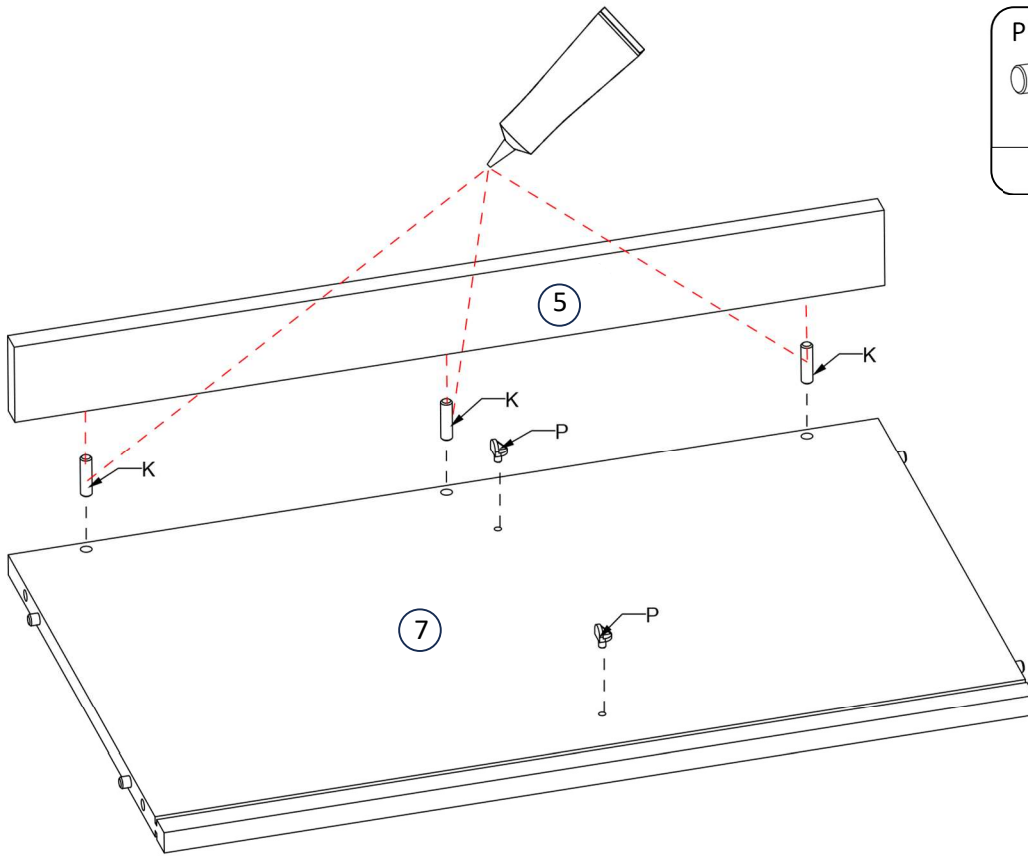
3



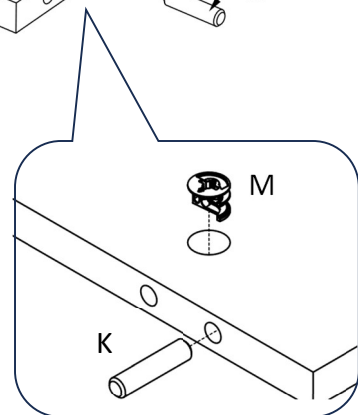
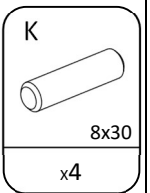
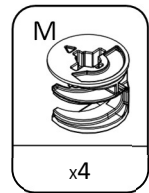
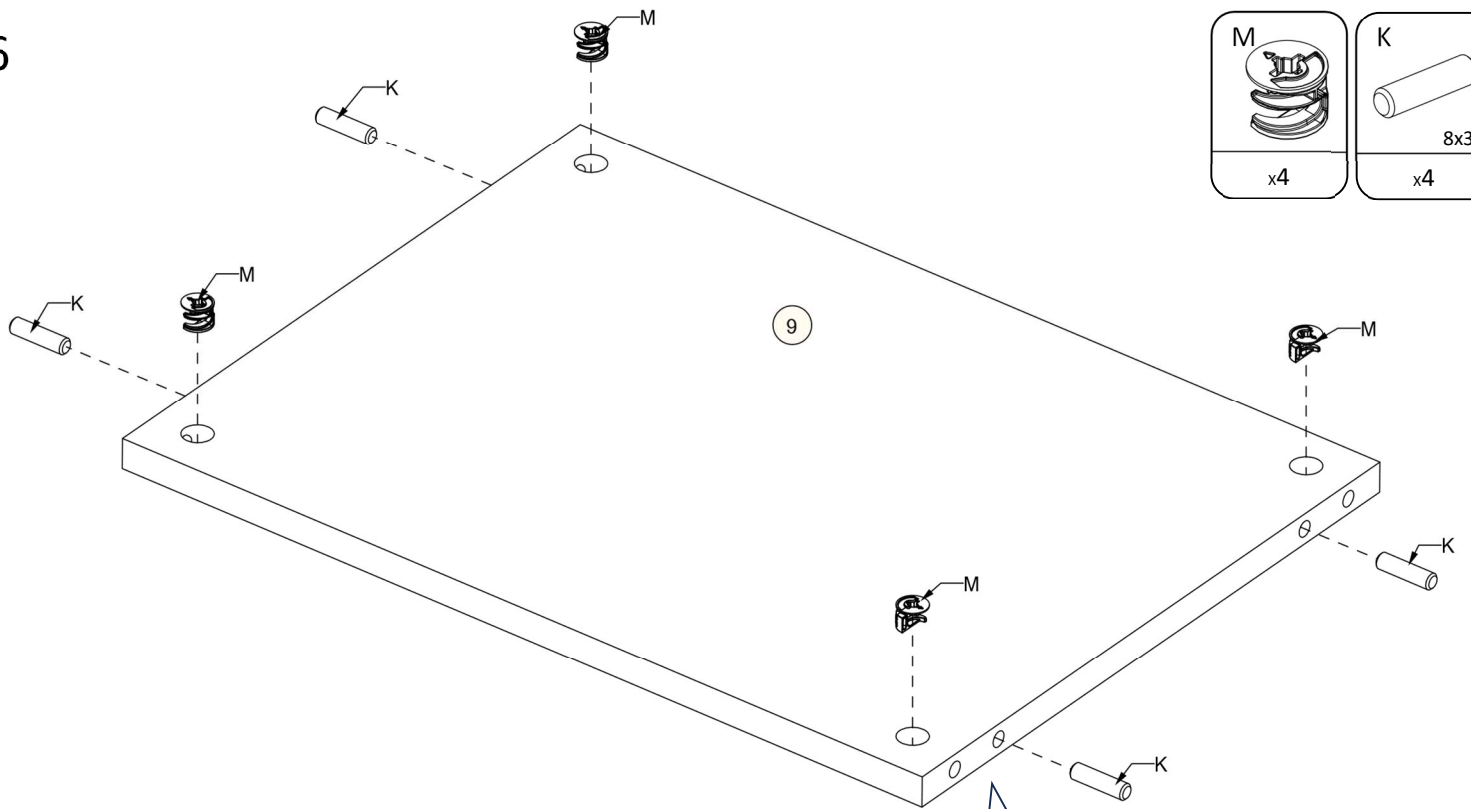
4




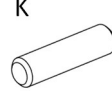
5

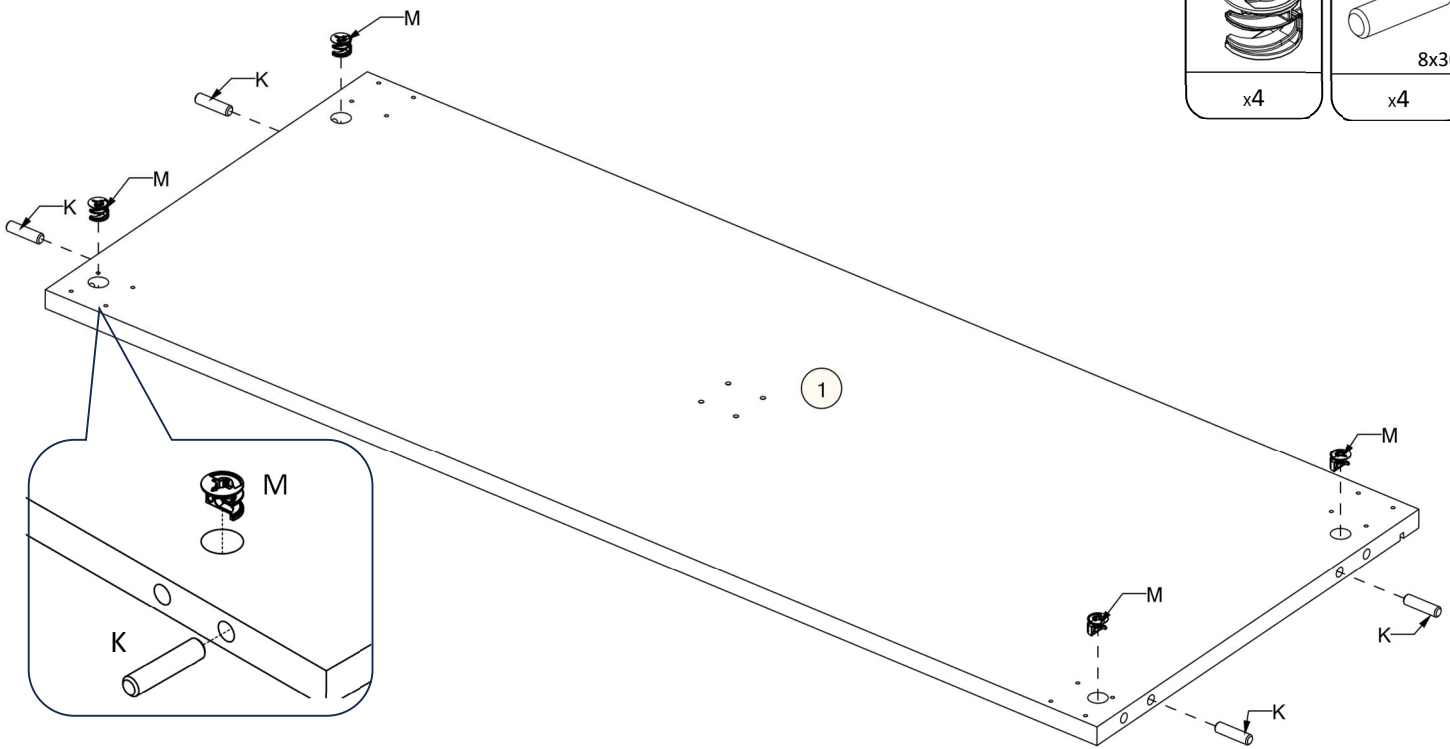


6




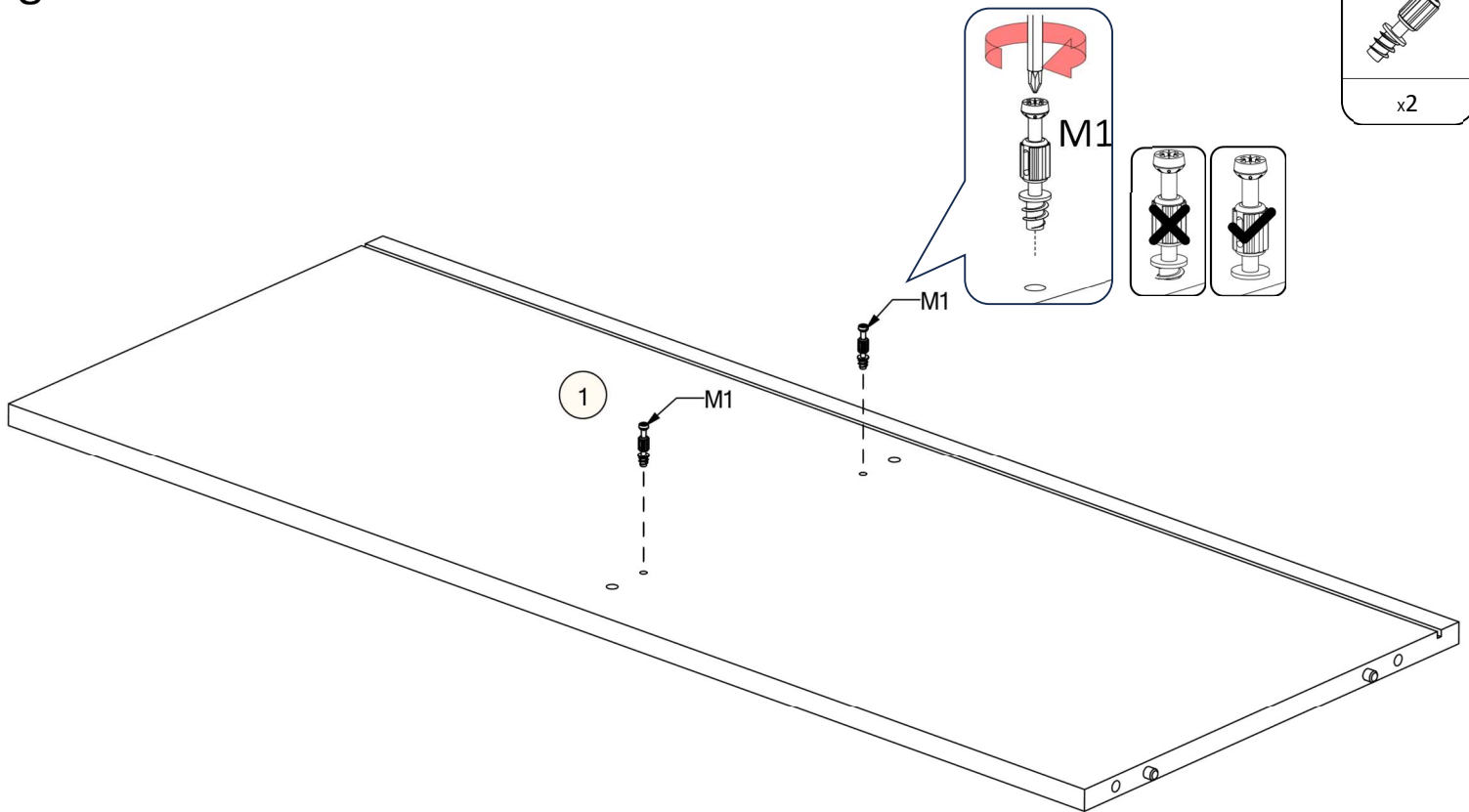
7

M	K
	
x4	8x30 x4

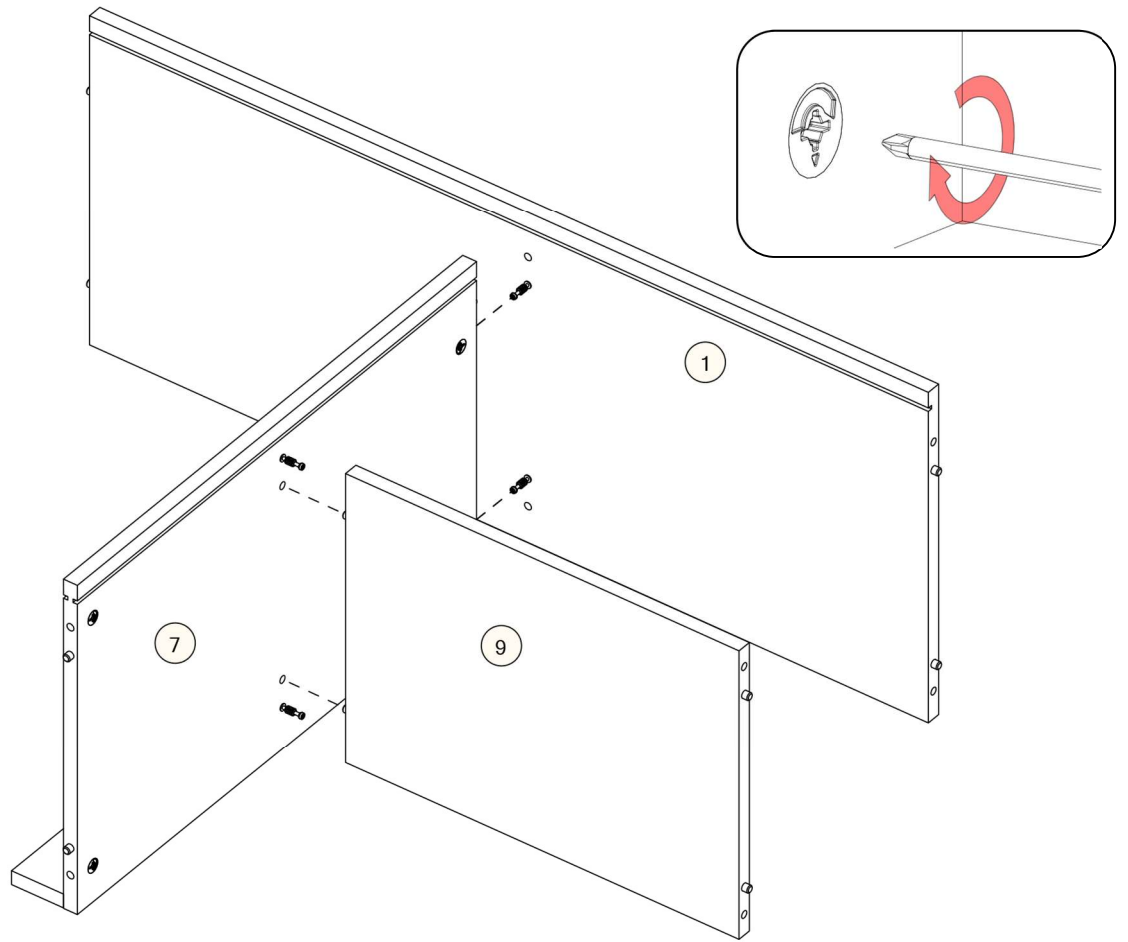


8

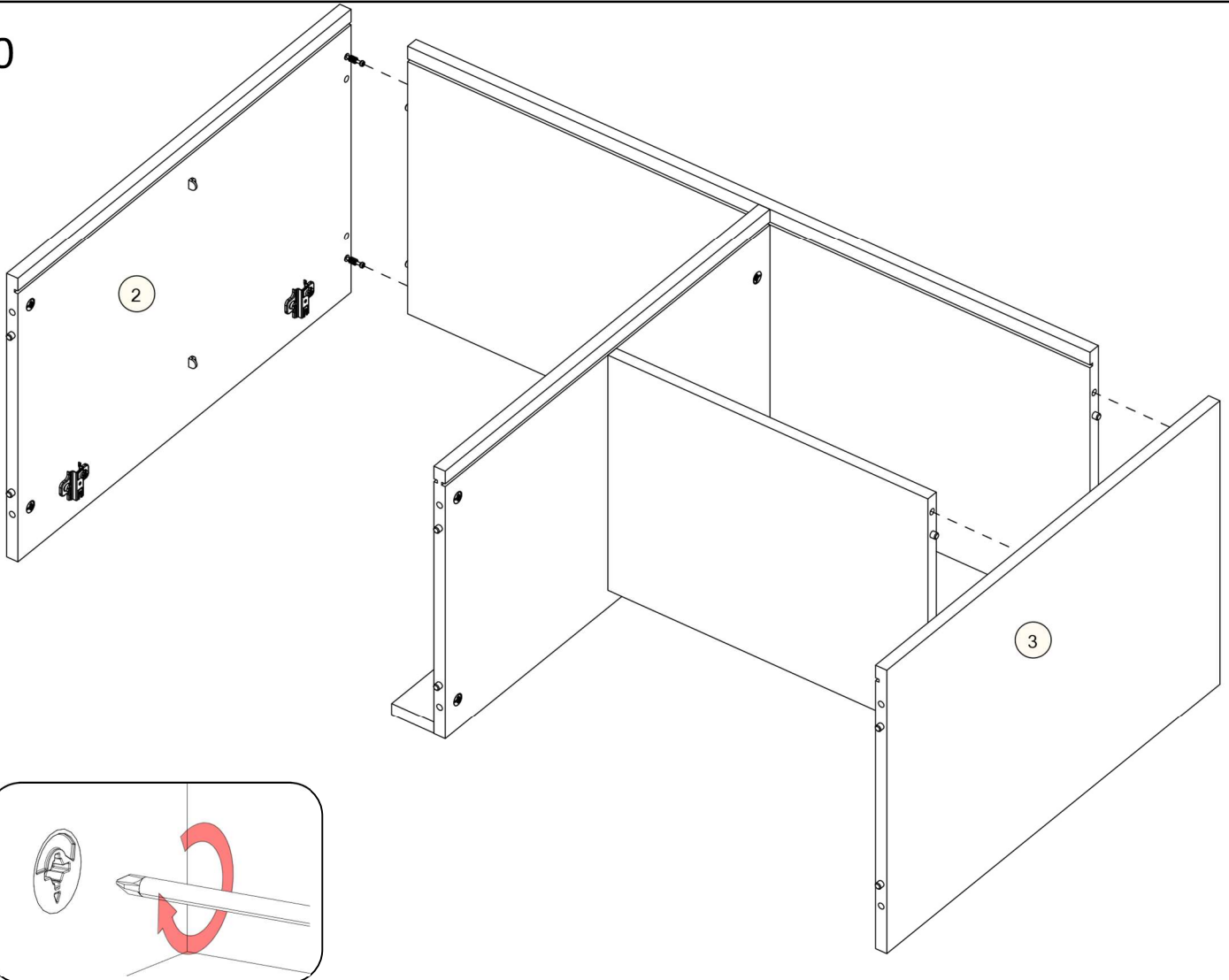
M1

x2



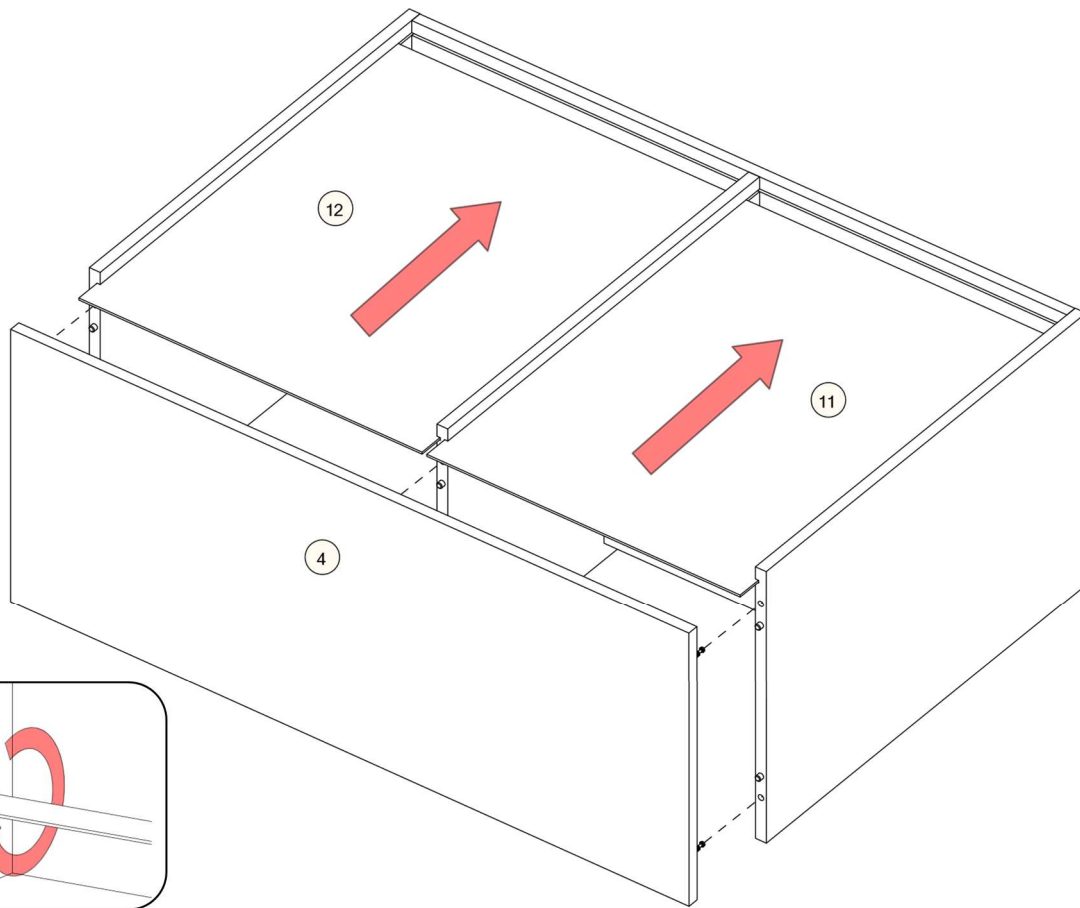
9



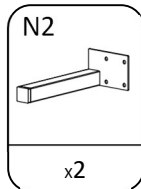
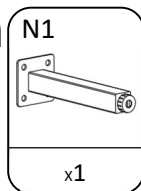
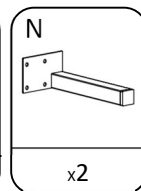
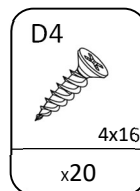
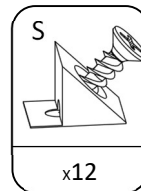
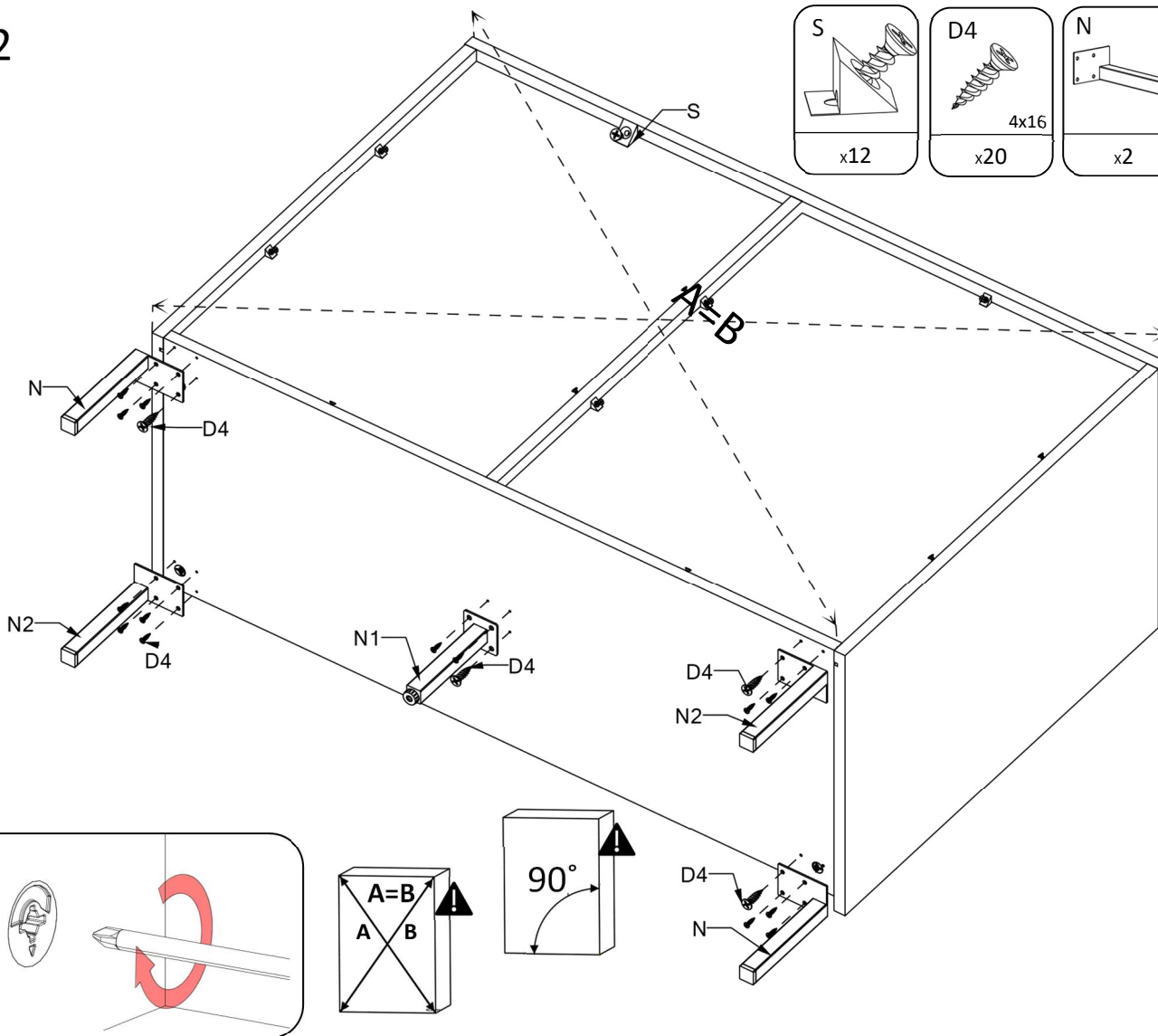
10



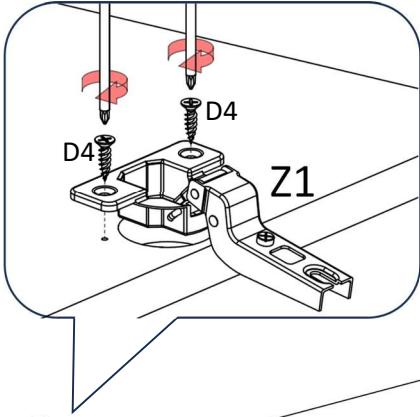
11


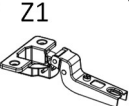


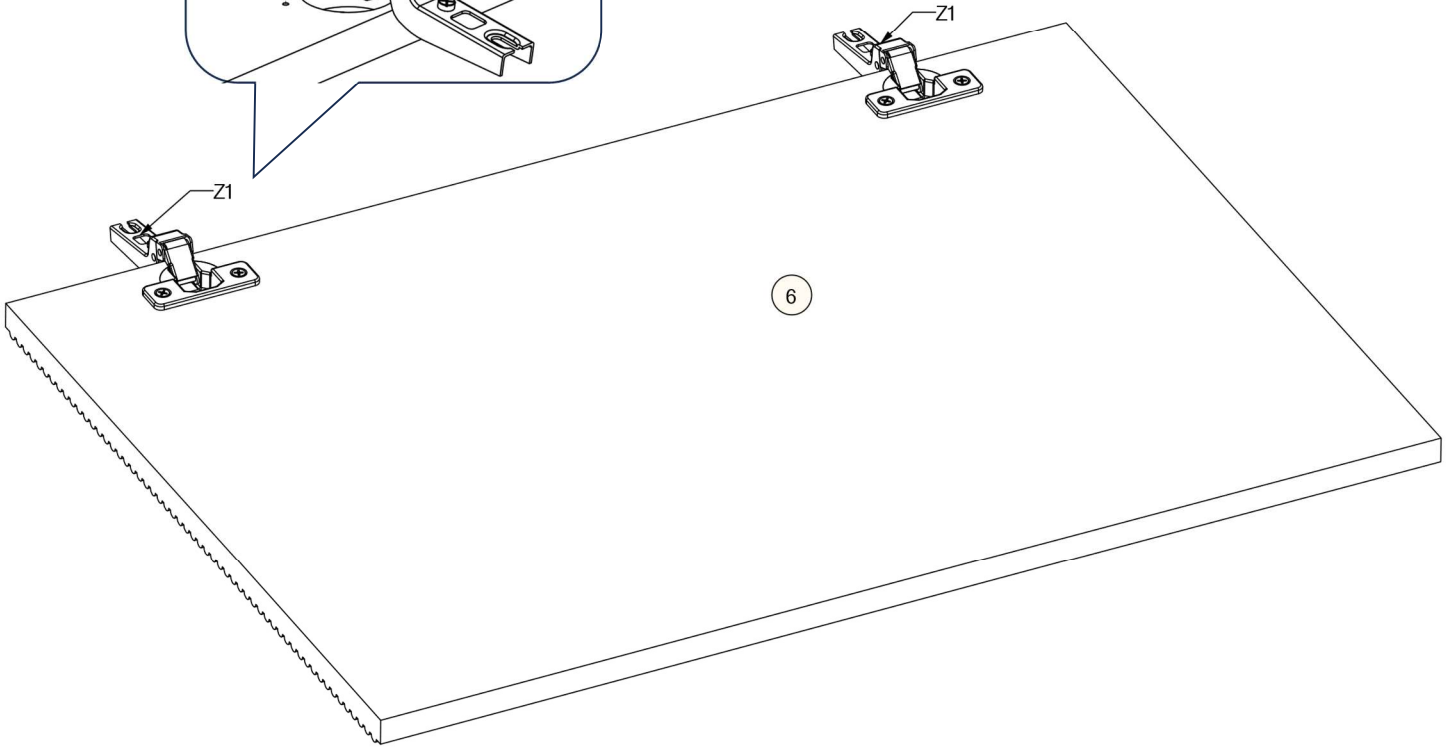
12



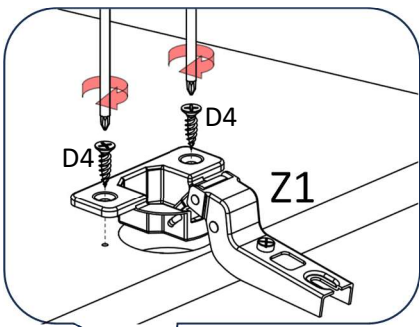
13


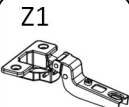


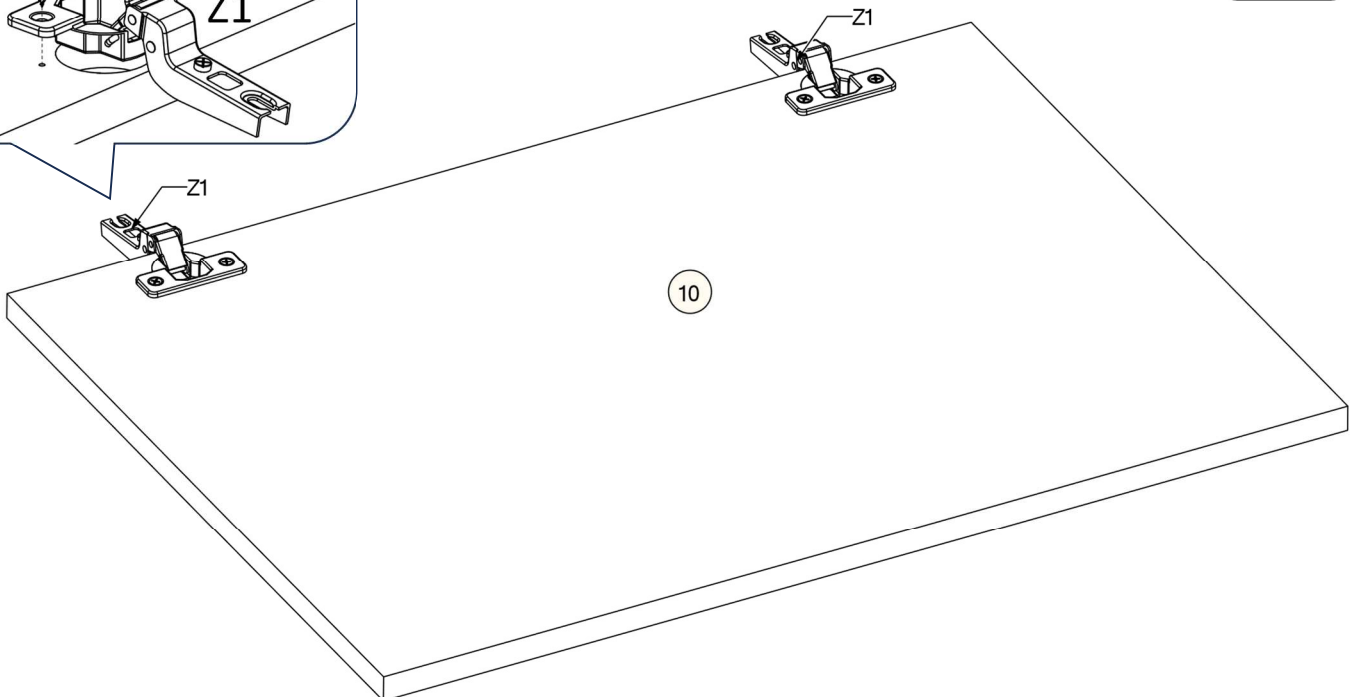
D4	Z1
	
4x16	
x4	x2



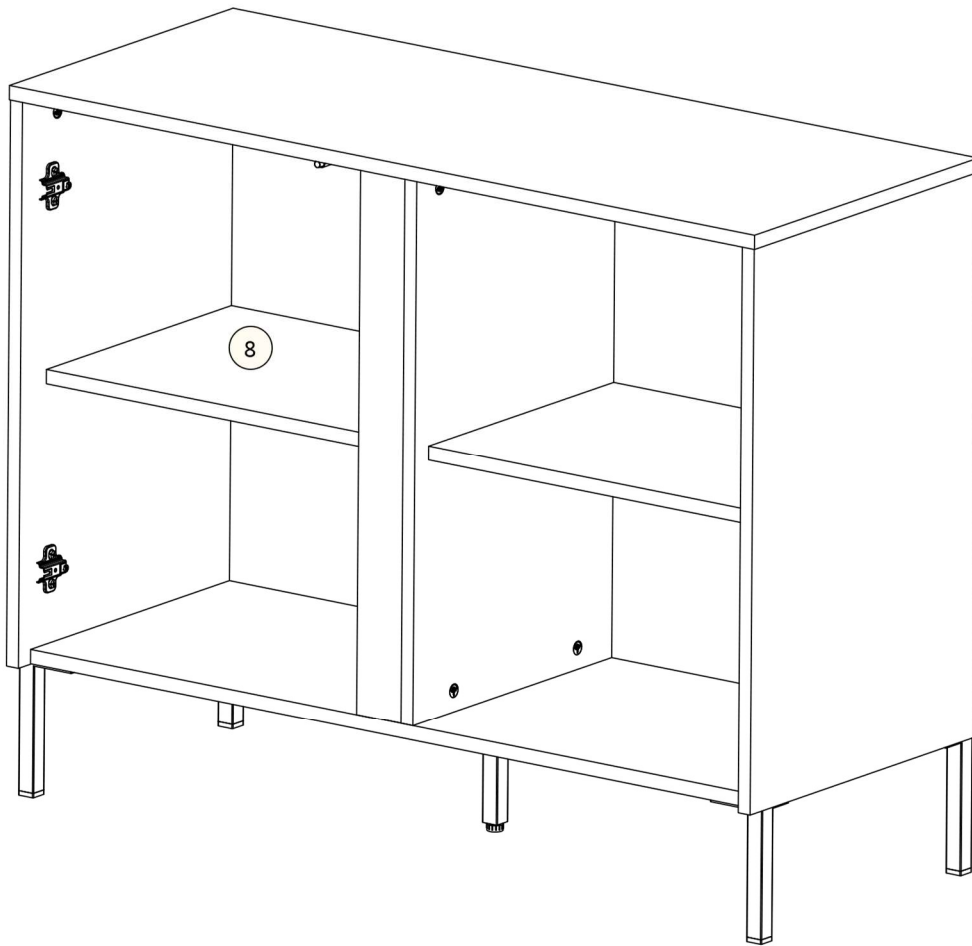
14



D4	Z1
	
4x16	
x4	x2



15



16

