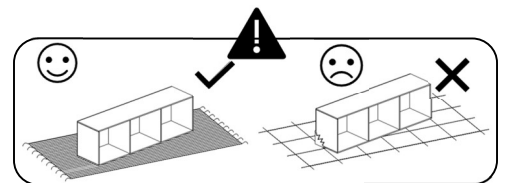
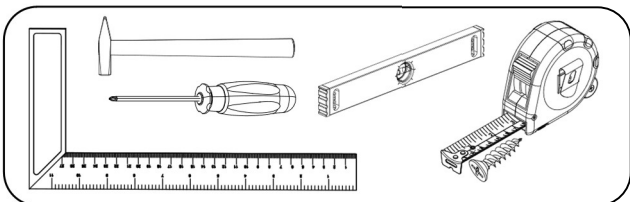
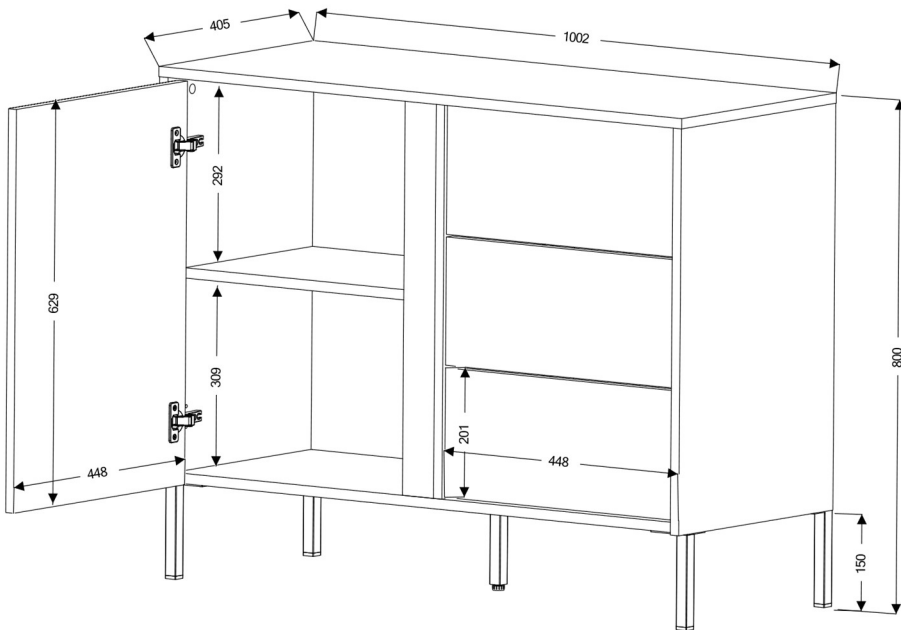
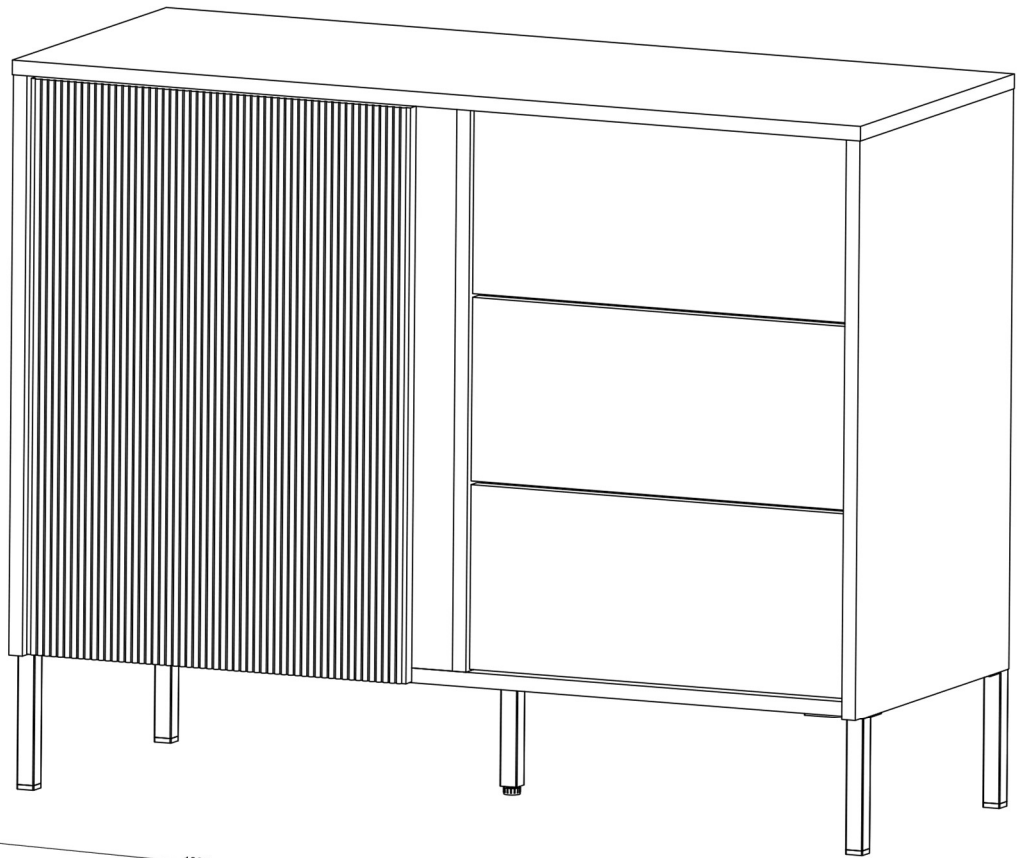
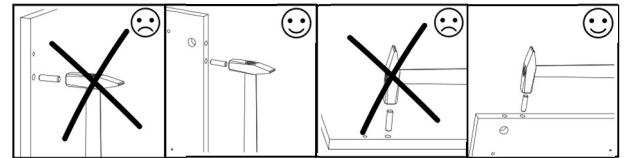
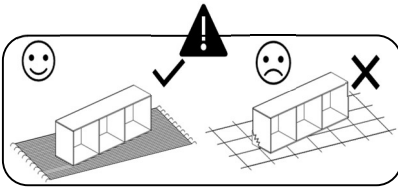
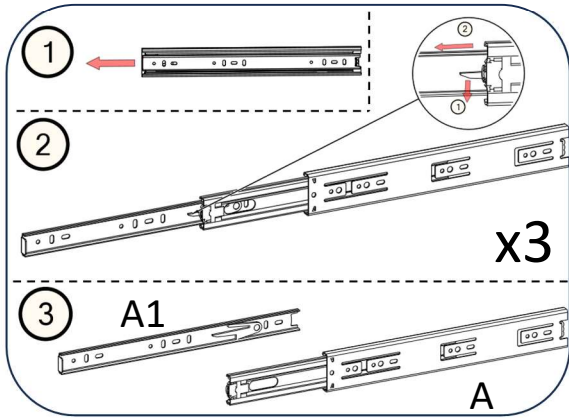
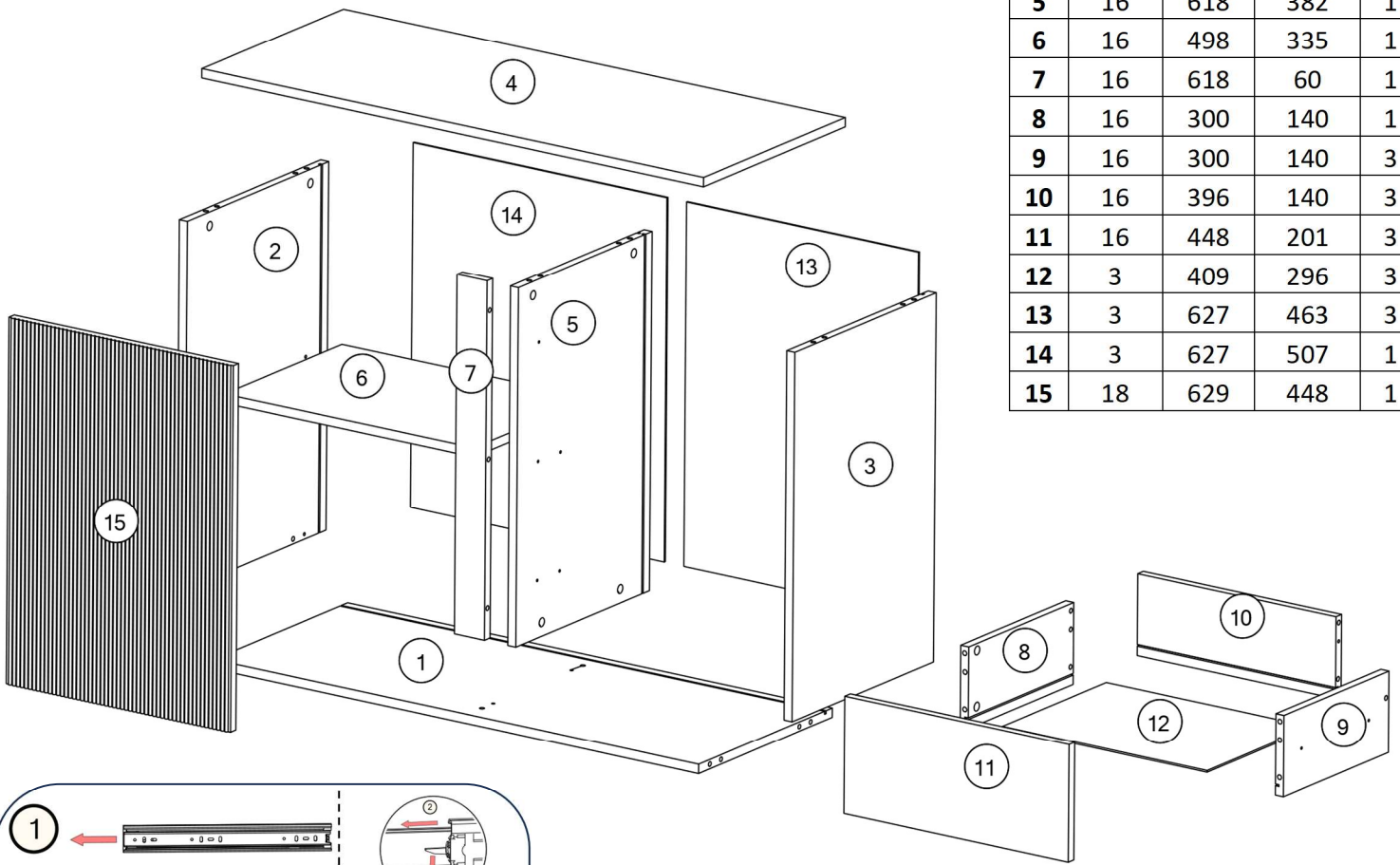


Mia 5

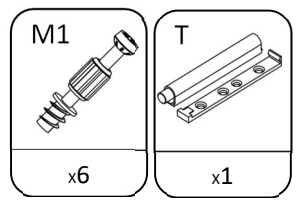
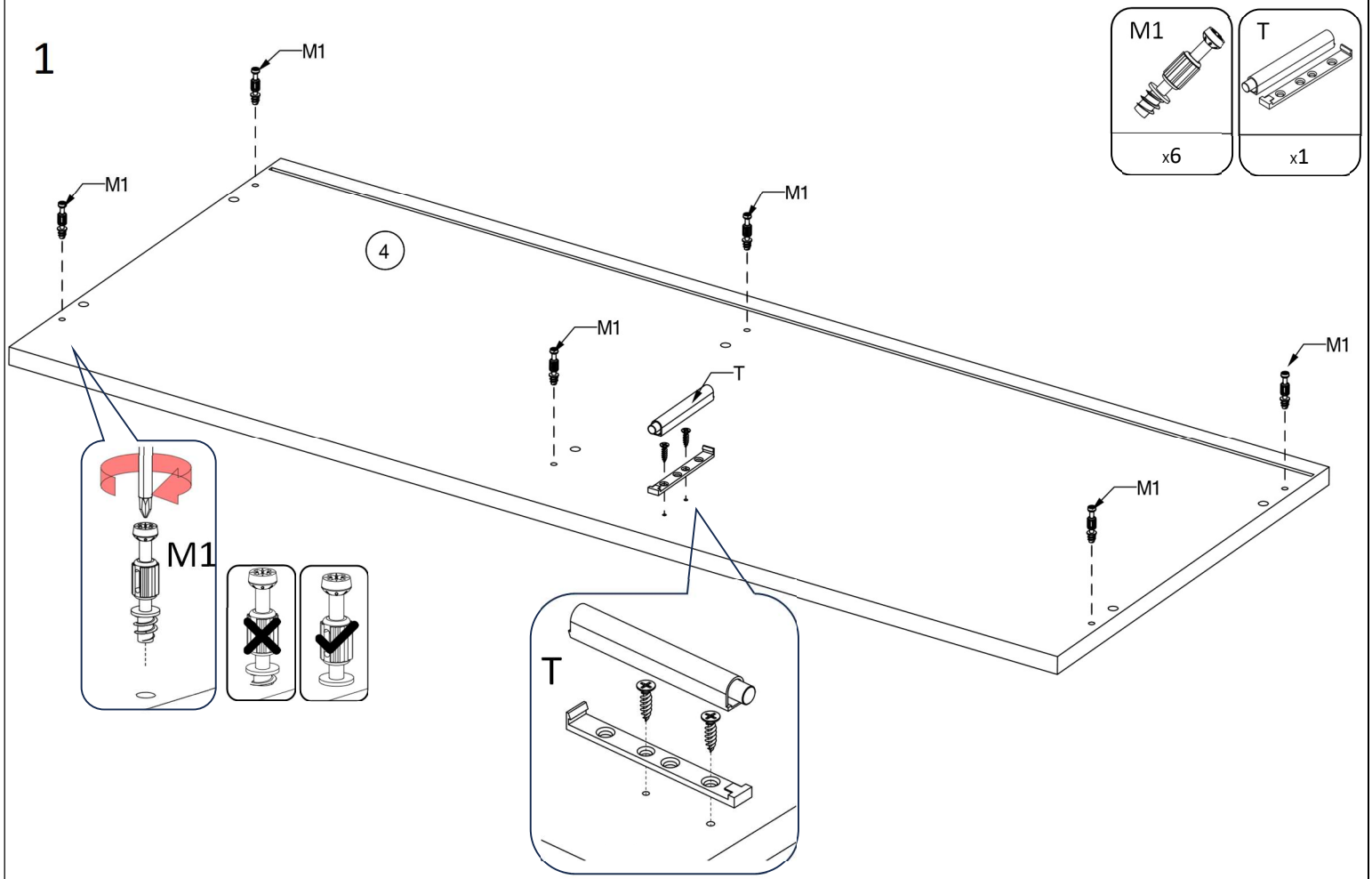


No.	T(mm)	L(mm)	W(mm)	Stc.
1	16	968	382	1
2	16	634	404	1
3	16	634	404	1
4	16	1002	405	1
5	16	618	382	1
6	16	498	335	1
7	16	618	60	1
8	16	300	140	1
9	16	300	140	3
10	16	396	140	3
11	16	448	201	3
12	3	409	296	3
13	3	627	463	3
14	3	627	507	1
15	18	629	448	1

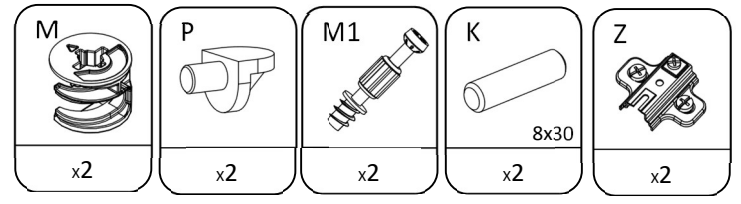
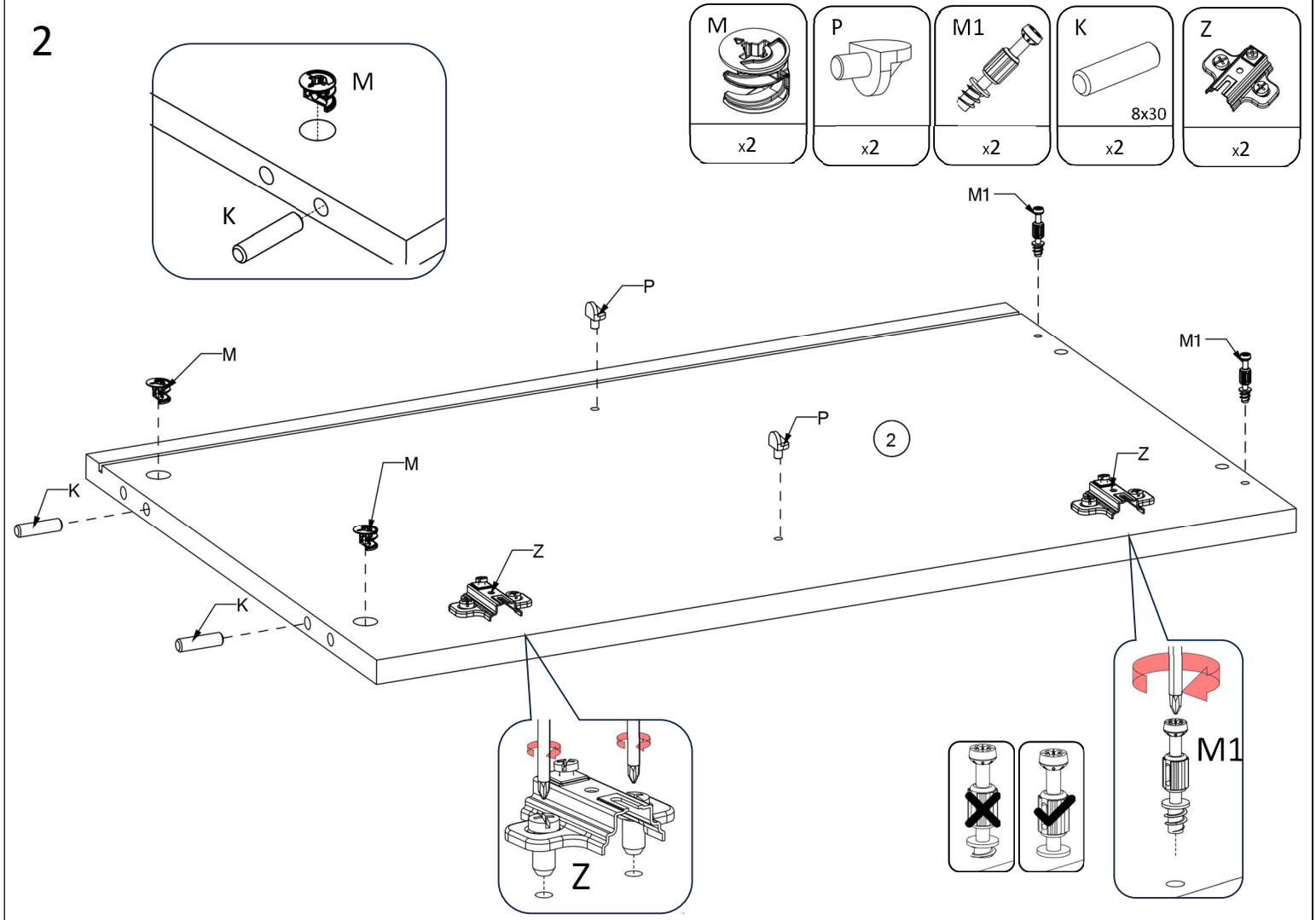


K 8x30 x33	M1 x24	M x24	Z x2	D4 4x16 x24	Z1 x2	E2 6,3x13 x12	ZM x24	F 7x50 x6	T x1
P x4	N2 x2	S x12	E1 5x13 x12	KL x1	GL GLUE x1	N x2	N1 x1		

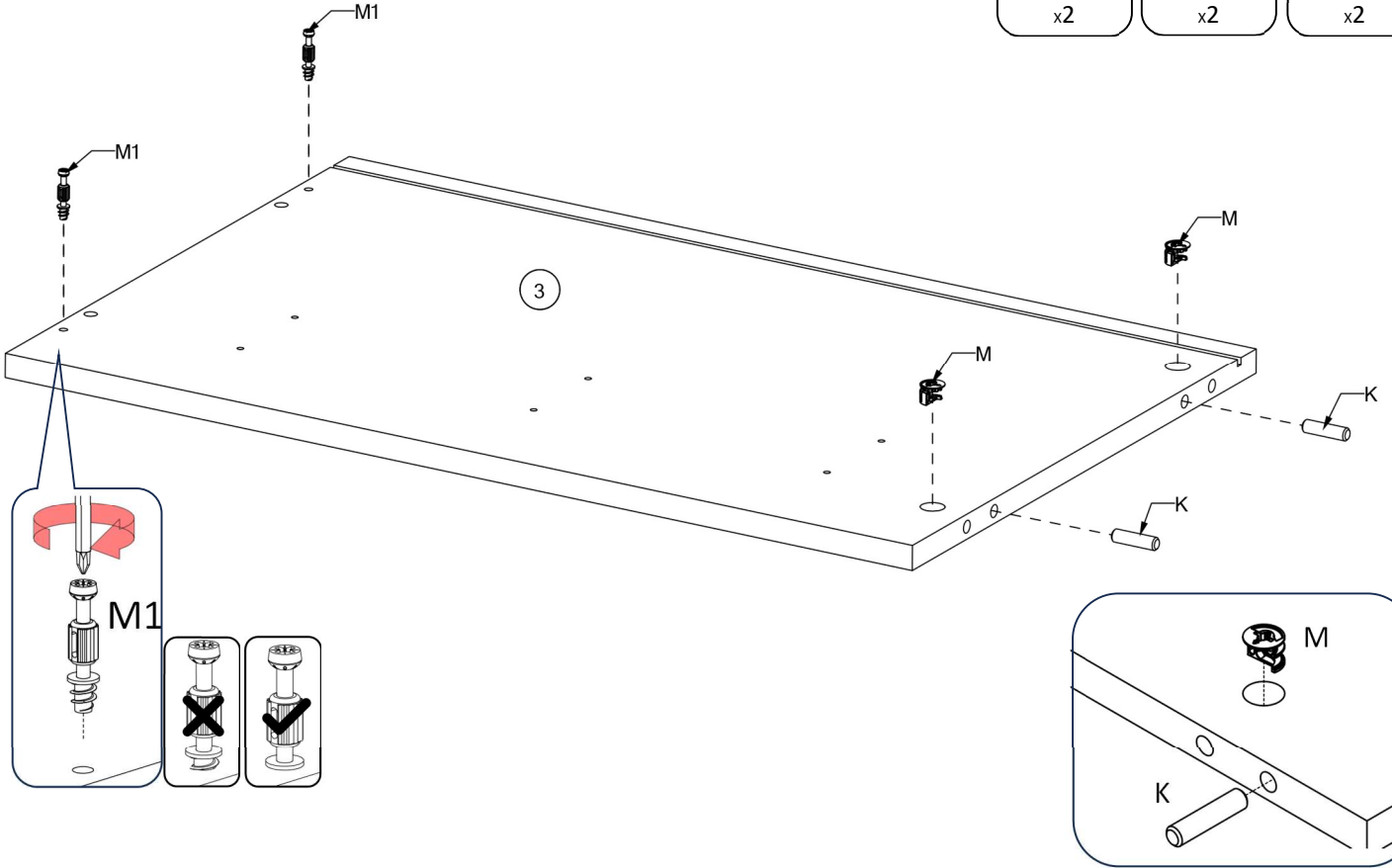
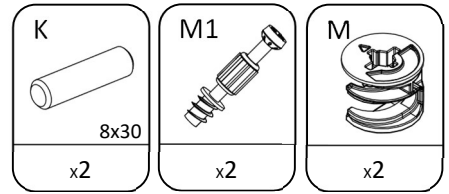
1



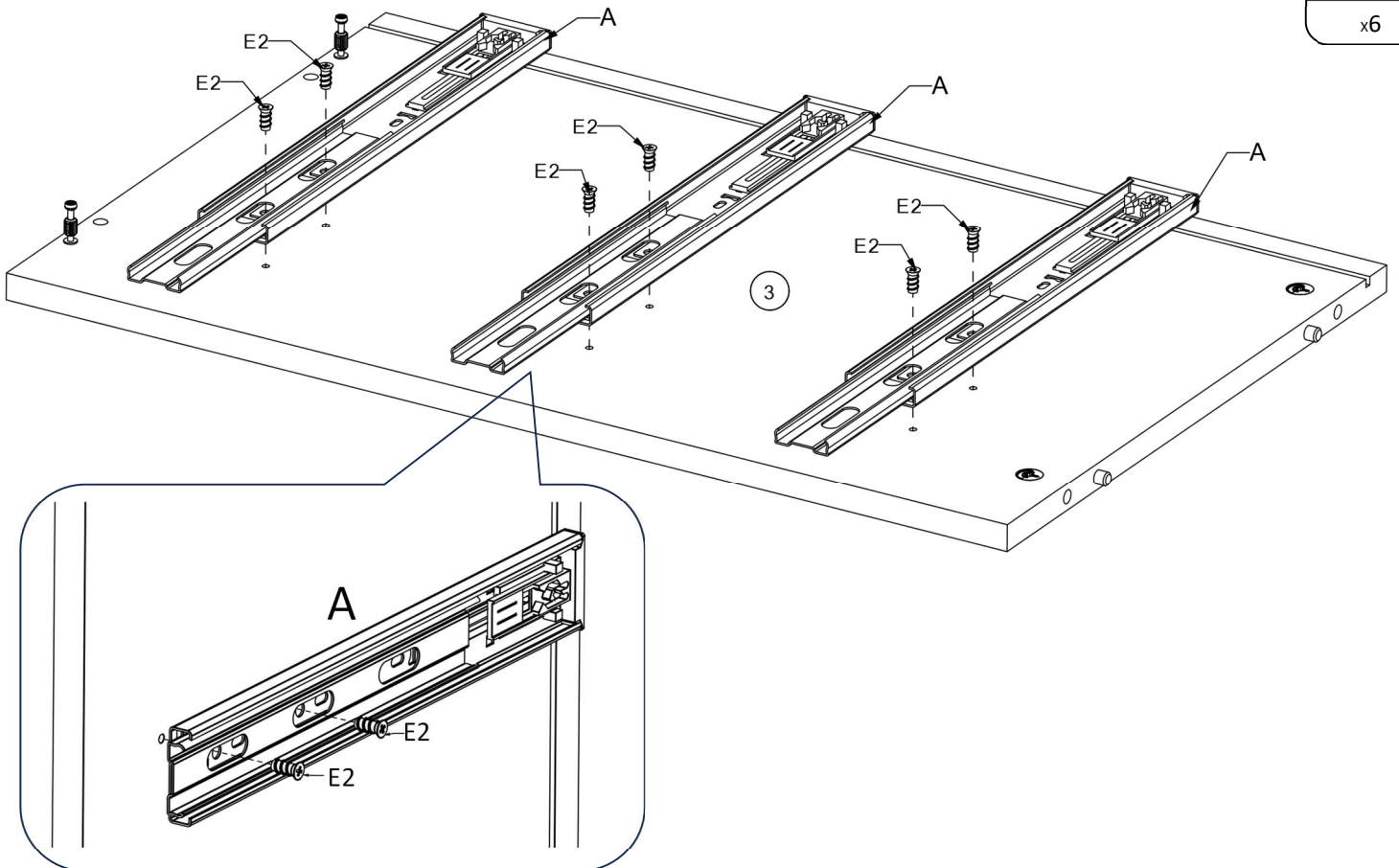
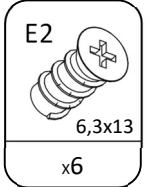
2



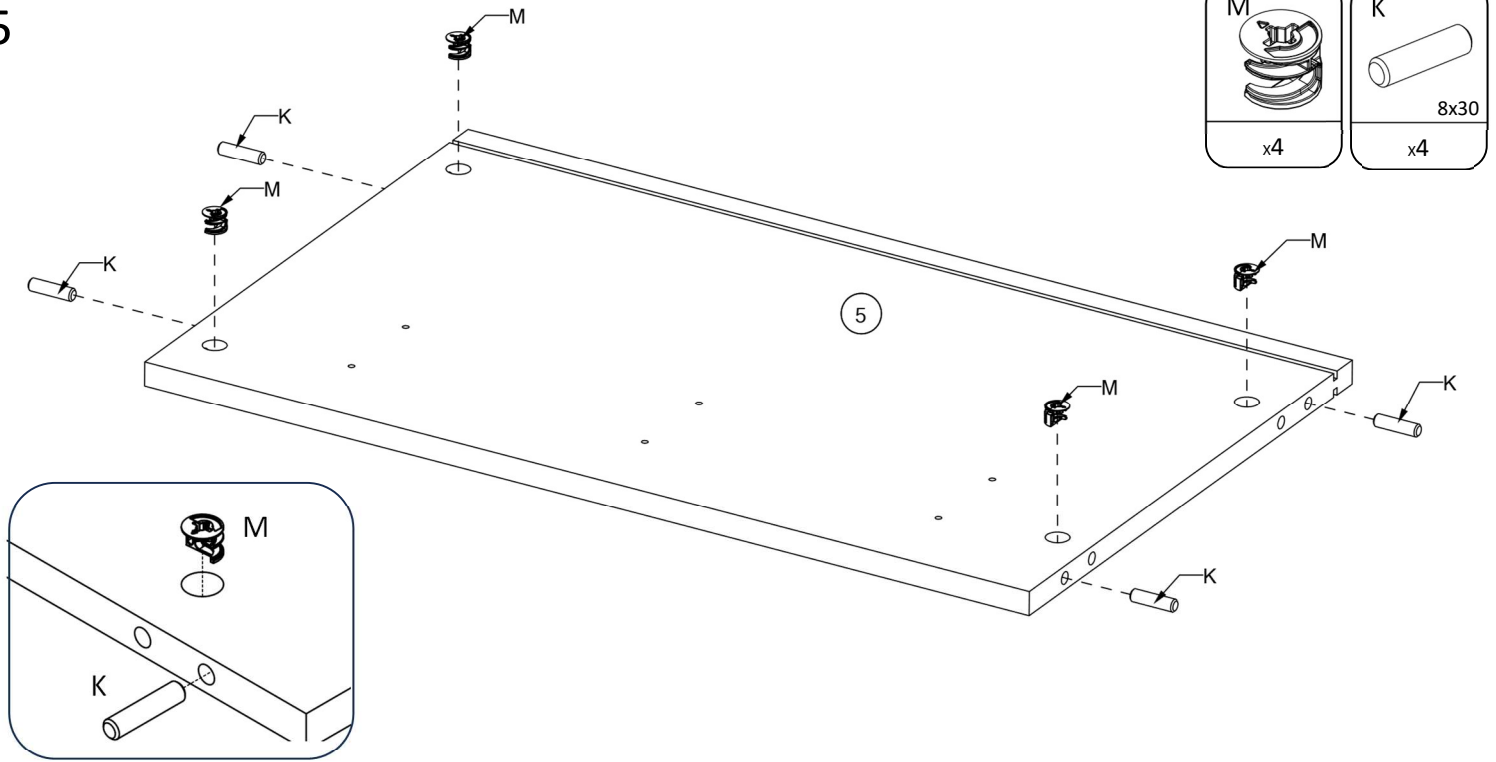
3



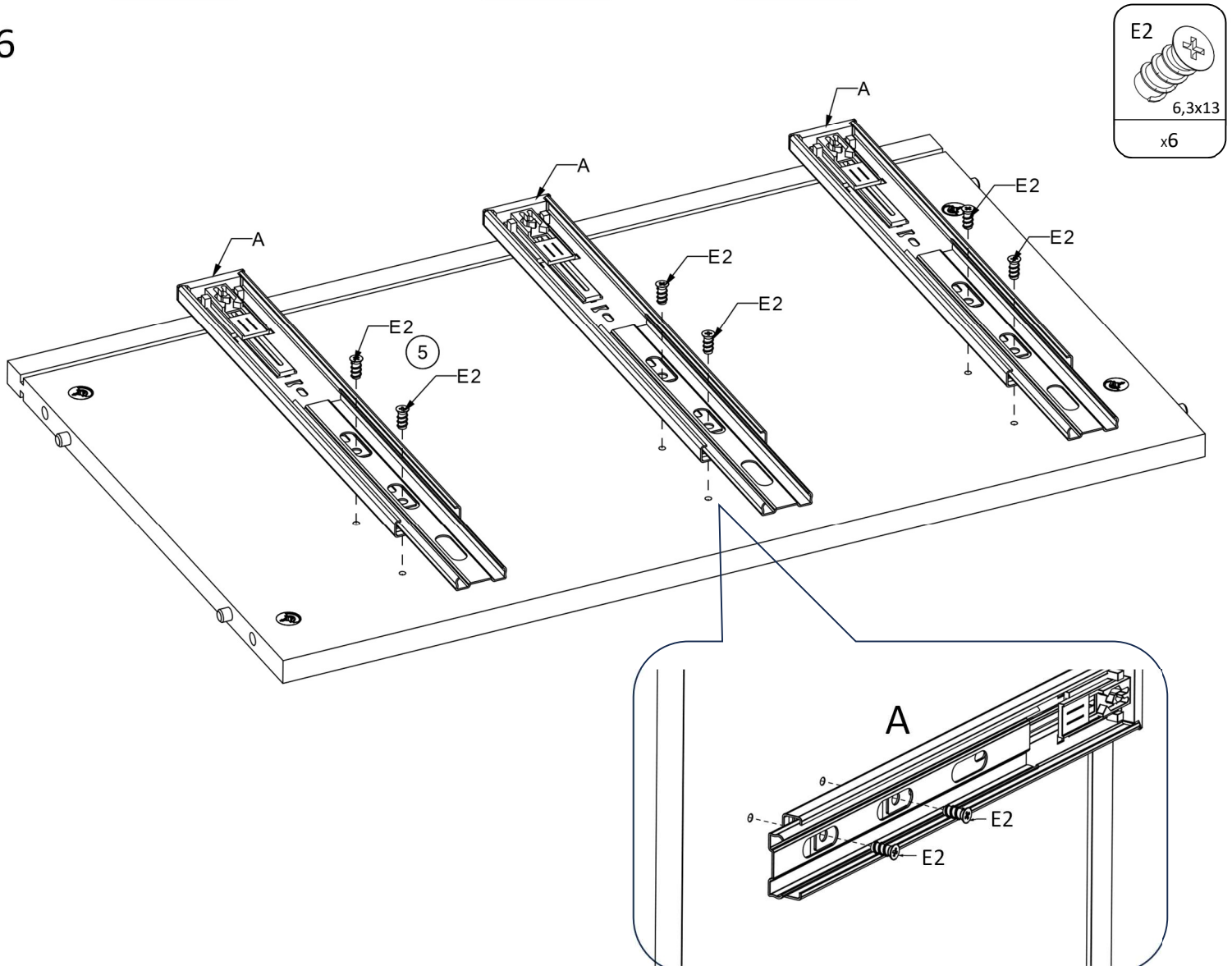
4



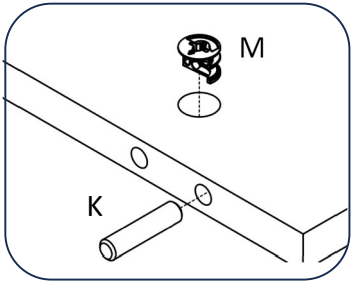
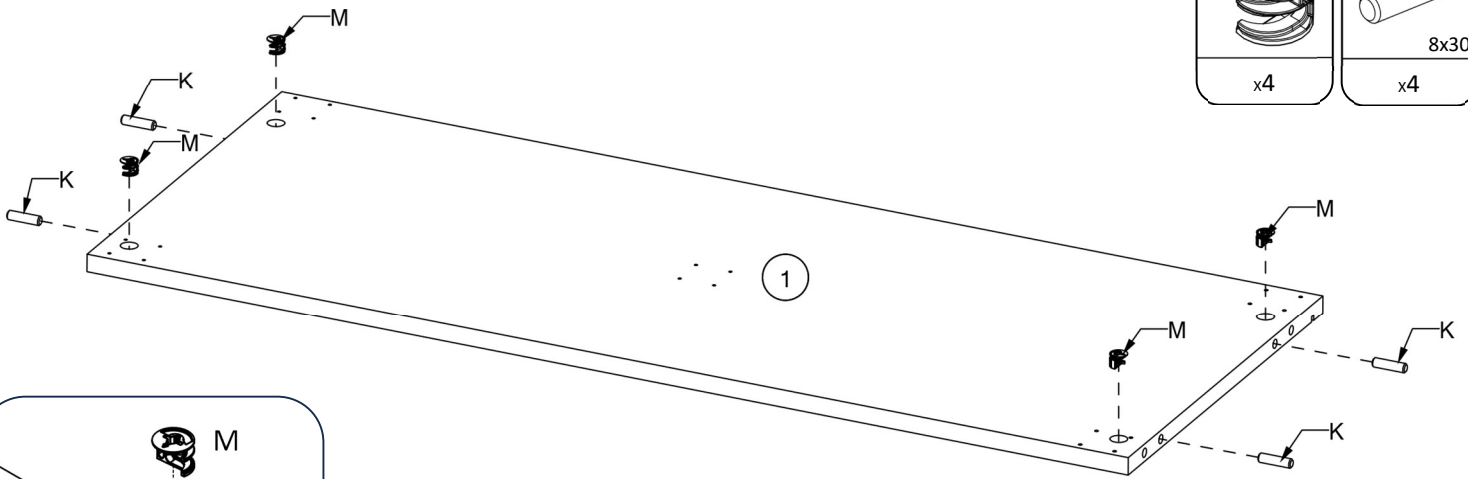
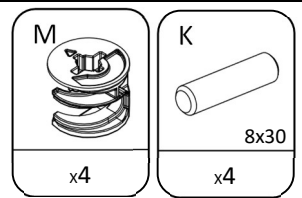
5



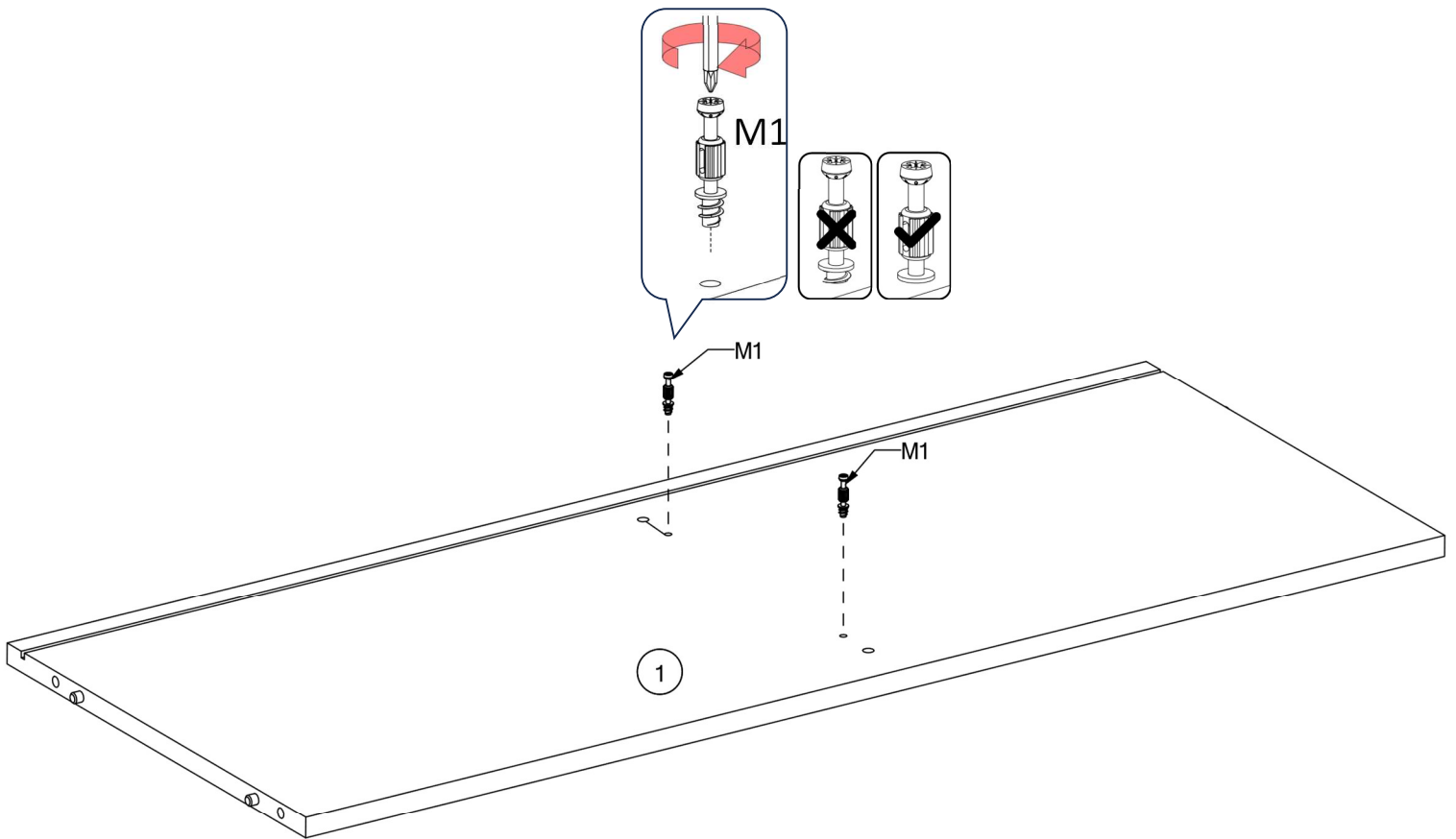
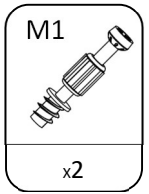
6



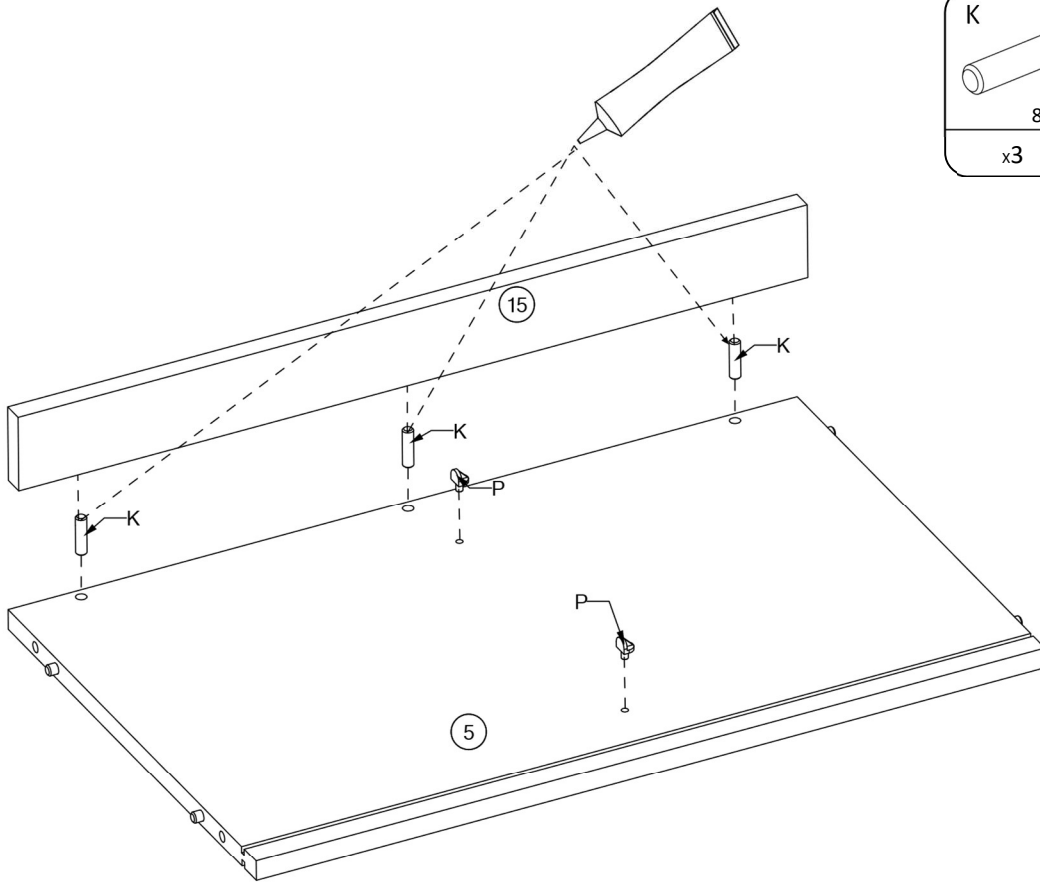
7

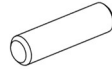
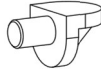



8

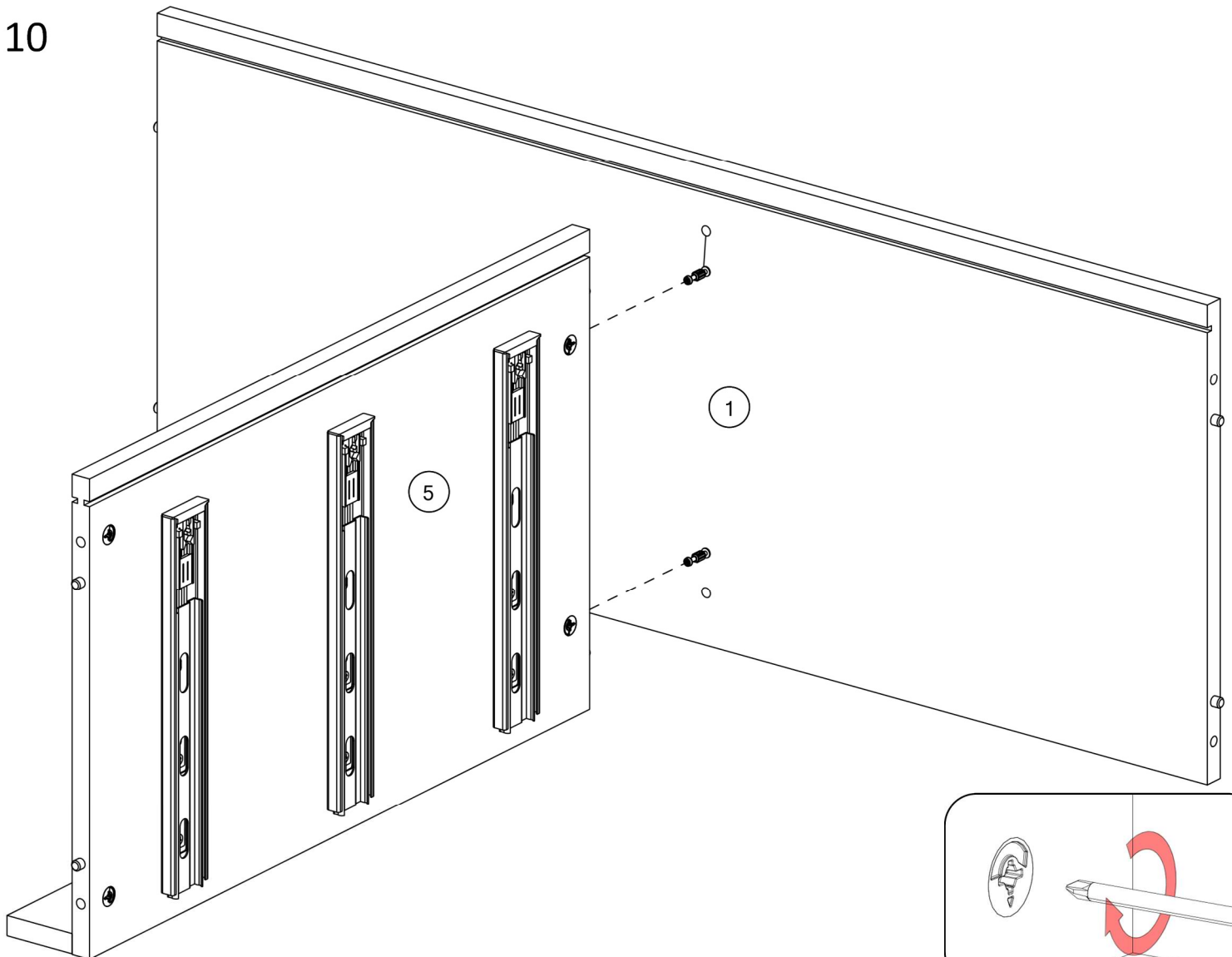


9

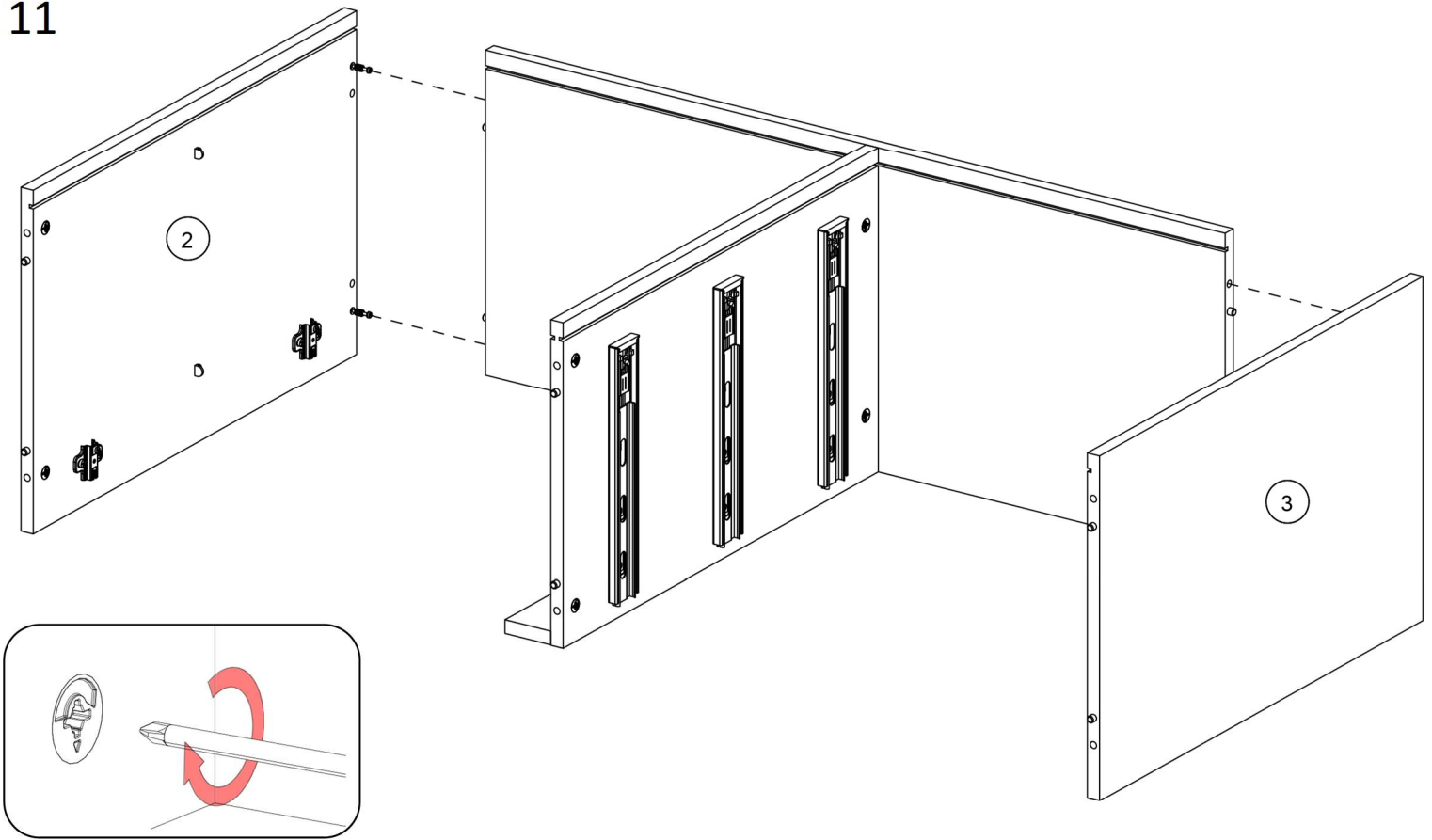


K	P	GL
		
8x30		GLUE
x3	x2	x1

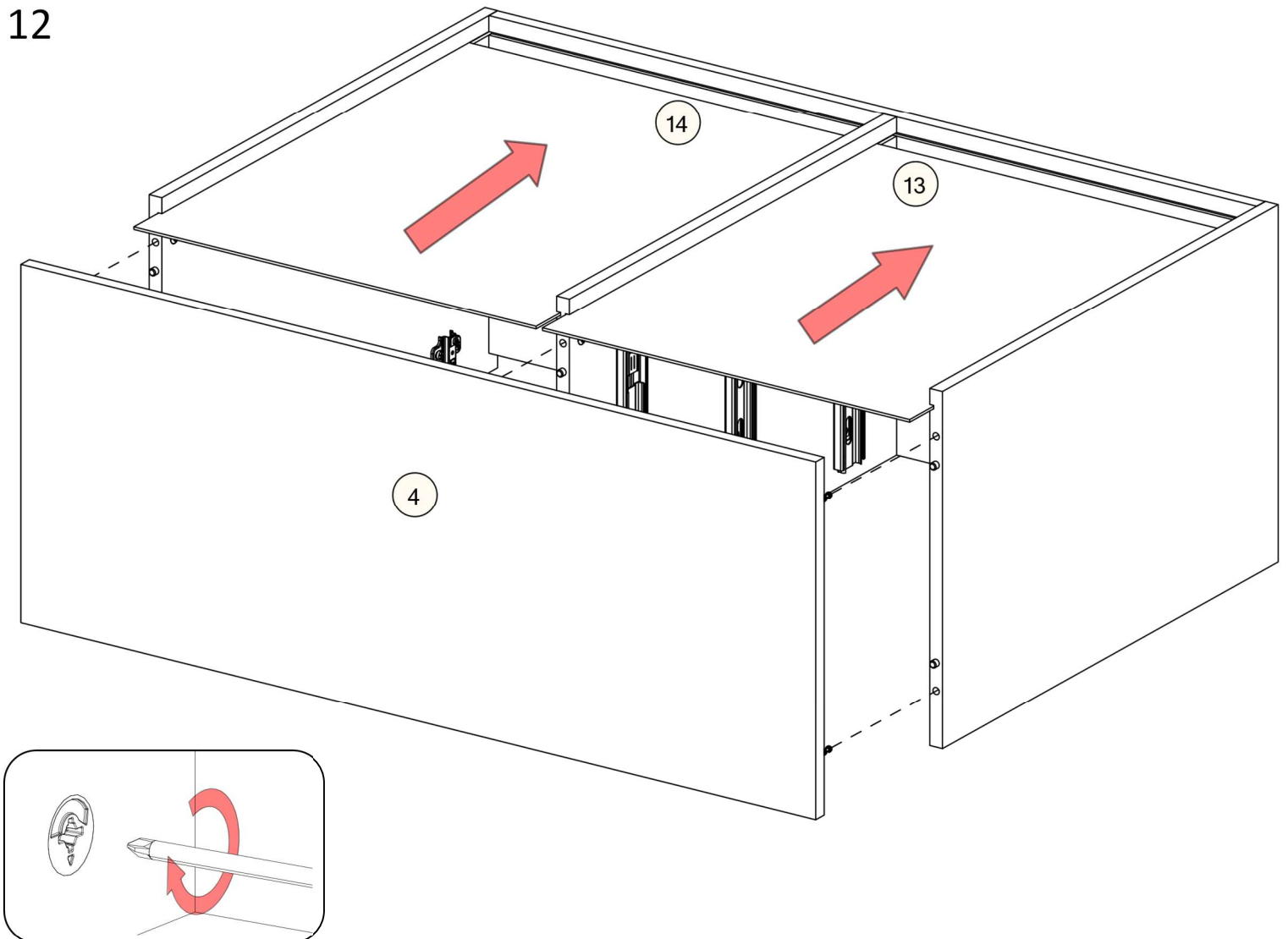
10



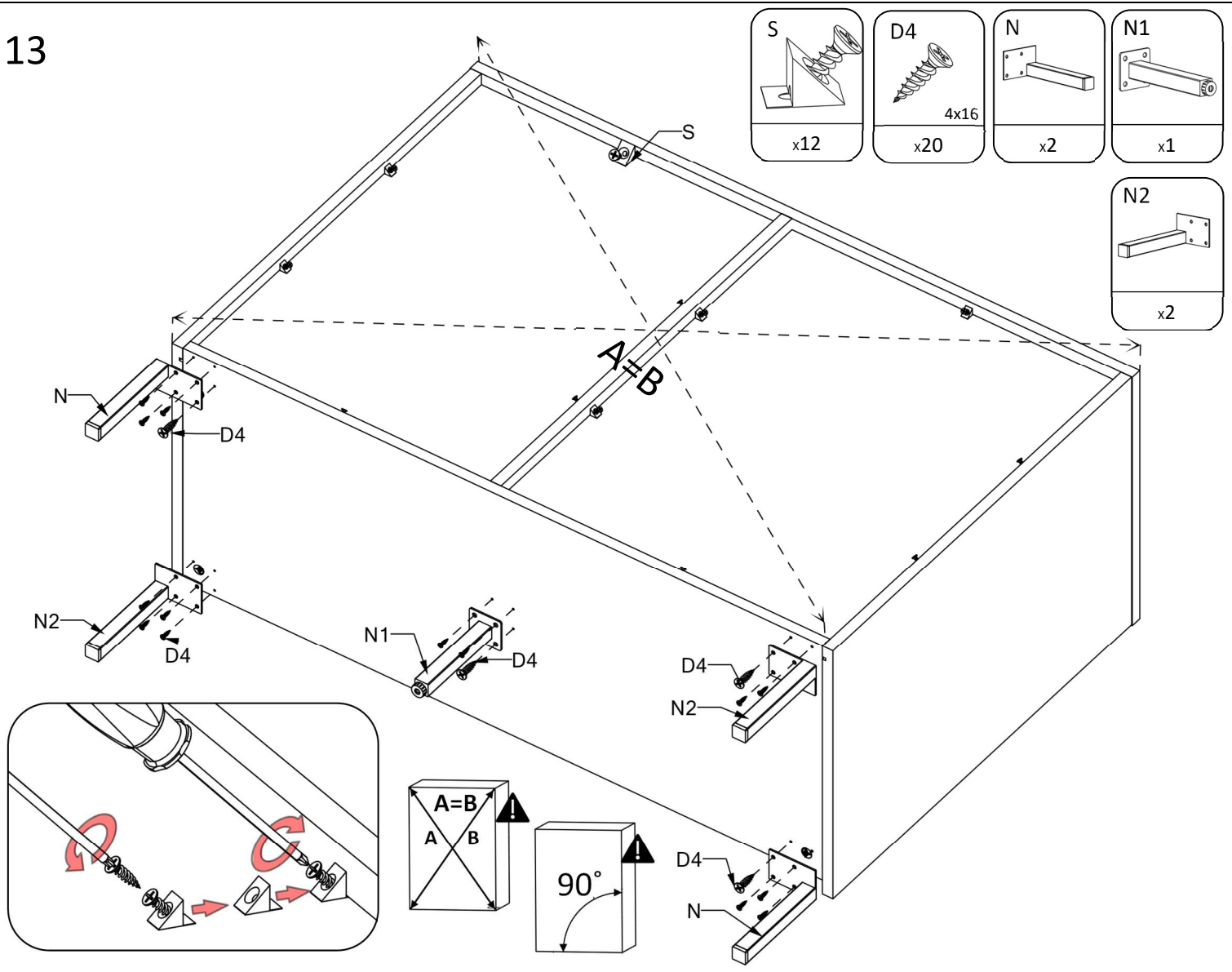
11



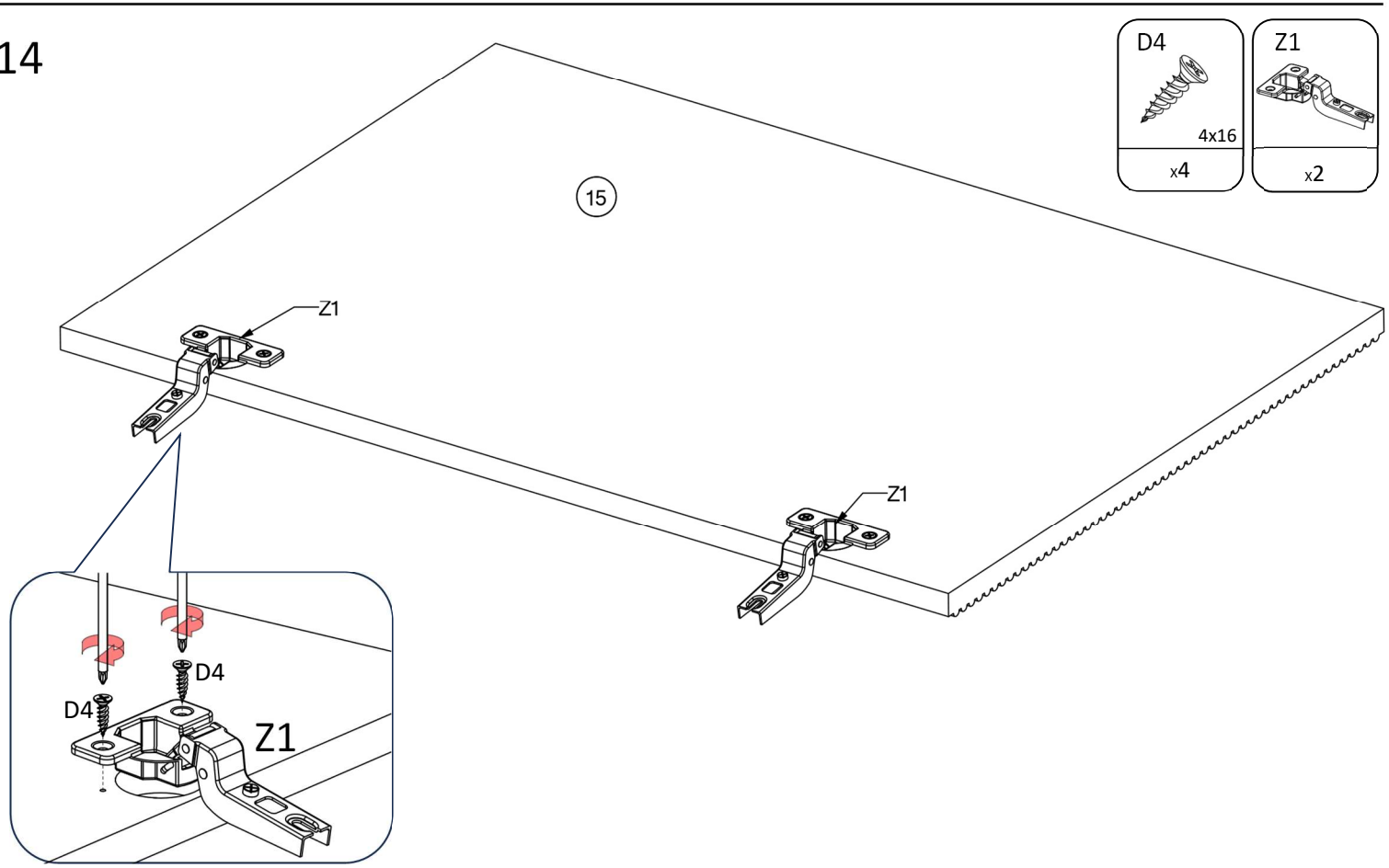
12





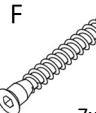


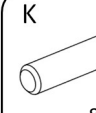
13

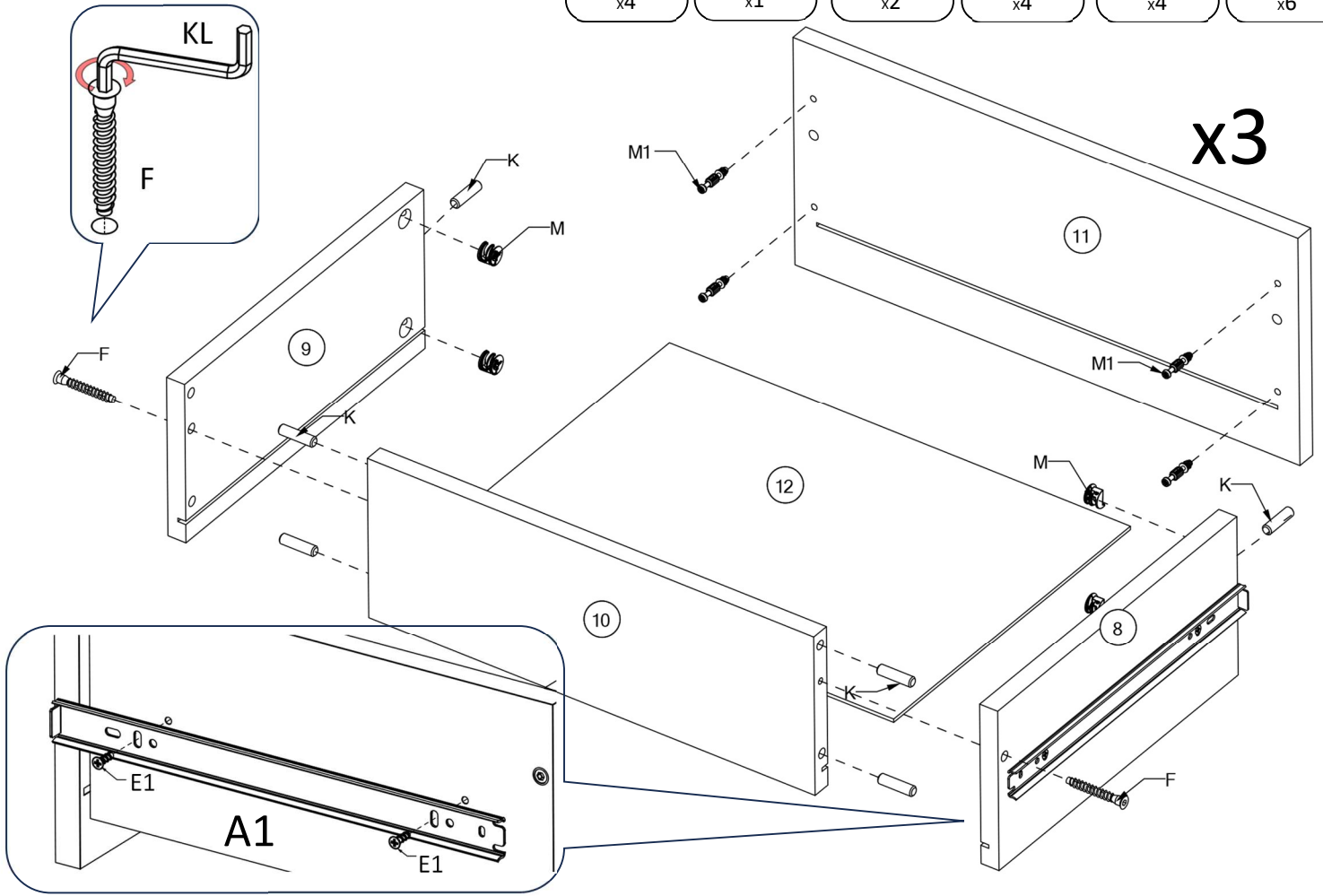


14



15

 E1 5x13 x4	 KL x1	 F 7x50 x2	 M x4	 M1 x4	 K 8x30 x6
------------------------------------------------------------------------------------------------------	----------------------------------------------------------------------------------------------	------------------------------------------------------------------------------------------------------	-----------------------------------------------------------------------------------------------	------------------------------------------------------------------------------------------------	-------------------------------------------------------------------------------------------------------



16

